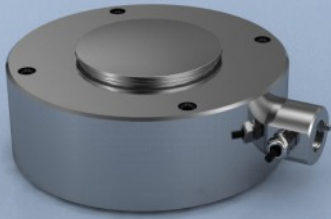


## TYPE: CLP-HC



# CLP-HC Low Profile, Stainless Steel Compression Load Cell

## Description

The LCM high capacity range of compression load cells are designed for heavy lifting and weighing applications, such as pile testing, centre of gravity identification, and crane and winch load monitoring.

The CLP-HC series are built to exacting standards and are suitable for use in exposed installations, with versions being available for full immersion in water. There are many special options including, loading cap, mounting plate, integral connectors and internal analogue/digital signal amplifiers.

This high capacity CLP range can be supplied as shown on this datasheet or can be modified to meet a particular application requirement. We are always pleased to discuss any special requirements that can be accommodated. The CLP-HC series can be supplied on its own or combined with our extensive range of instrumentation to provide a complete load monitoring system.

## Specification

Rated load (tonnes)	100, 200, 300, 500, 750, 1000
Proof load	150% of rated load
Ultimate breaking load	300% of rated load
Output	1.5mV/V at rated load (nominal)
Non-linearity	<±0.25% of rated load (typically)
Non-repeatability	<±0.04% of rated load
Excitation voltage	10vdc recommended, 15vdc maximum
Bridge resistance	700Ω
Insulation resistance	>500MΩ @ 500vdc
Operating temperature range	-20 to +70°C
Compensated temperature range	-10 to +50°C
Zero temperature coefficient	<±0.010% of rated load/°C
Span temperature coefficient	<±0.010% of rated load/°C
Environmental protection level	IP67
Connection type	10 metre 4 core screened PUR cable
Wiring connections	Red +ve supply      Blue -ve supply Green +ve signal      Yellow -ve signal

## Available Options

- Special ranges and capacities up to 2000te
- Special electrical connections
- Integral signal conditioning
- Submersible versions available
- Verification standard versions available
- Mounting plate

## Features

- Ranges from 100 tonne to 1000 tonne
- Stainless steel construction
- Environmentally sealed to IP67
- Simple installation and operation
- Many special design versions available
- Can be supplied with amplifier output
- Can be supplied with integral connector

## Typical Applications

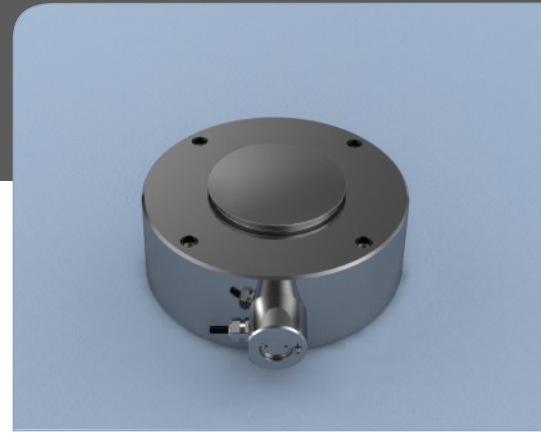
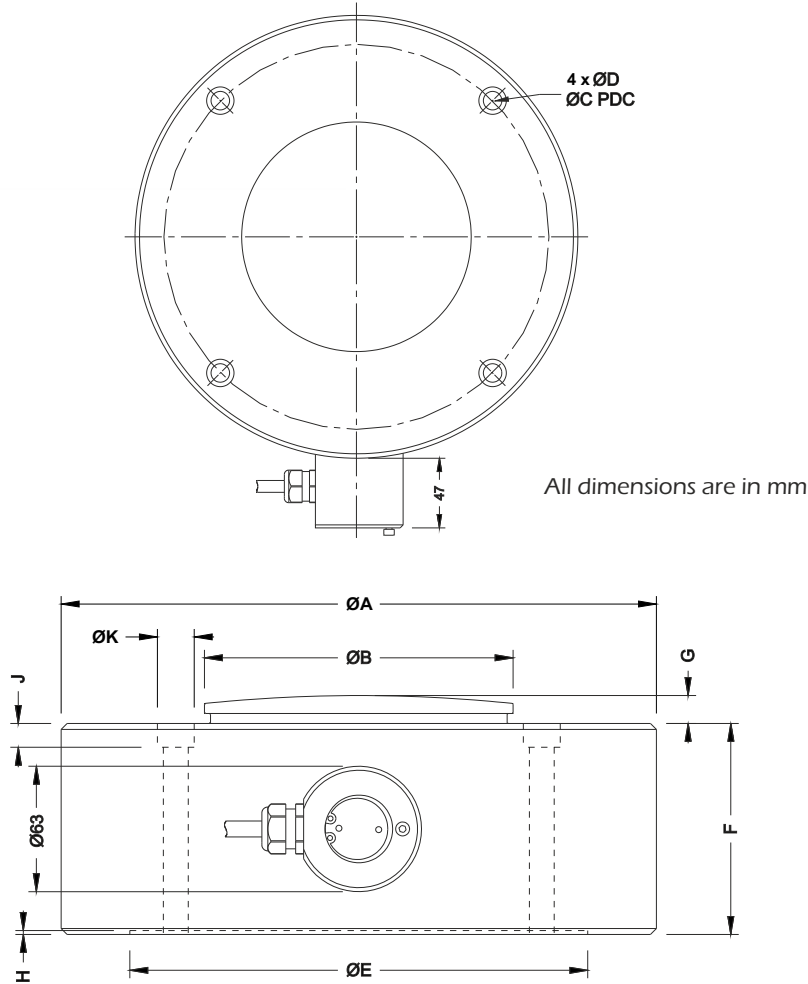
- Centre of gravity (module) weighing
- Pile force measurement
- Structural proof testing
- Jack force measurement
- Crane & winch safe load monitoring

### LCM Systems Ltd

Unit 15, Newport Business Park  
Barry Way, Newport  
Isle of Wight PO30 5GY UK  
Tel: +44 (0)1983 249264  
Fax: +44 (0)1983 249266  
sales@lcmsystems.com  
www.lcmsystems.com

# CLP-HC Low Profile, Stainless Steel Compression Load Cell

## Dimensions



Model	Rated Load (tonne)	$\varnothing A$	$\varnothing B$	$\varnothing C$	$\varnothing D$	$\varnothing E$	F	G	H	J	Weight (kg)
CLP-HC-100	100	229	87	200	10.5	136	60	10	2	10	20
CLP-HC-200	200	229	87	200	10.5	136	60	10	2	10	20
CLP-HC-300	300	299	155	260	12.5	230	73	12	2	12	42
CLP-HC-500	500	299	155	260	12.5	230	106	14	2	12	60
CLP-HC-750	750	299	155	260	12.5	230	106	14	2	12	60
CLP-HC-1000	1000	323	175	285	12.5	250	125	15	2	12	80

www.lcmsystems.com

Due to continual product development, LCM Systems Ltd reserves the right to alter product specifications without prior notice.

Issue No. 1

Issue date: 25/02/2014

APPROVED

(unapproved if printed)