

ICA5 S and A Versions Strain Gauge or Load Cell Embedded Analogue Amplifier



User Manual
www.mantracourt.co.uk

ME mantracourt

ICA5S and ICA5A Manual

Contents

Introduction to the ICAS and ICAH Range of In-Cell Amplifiers.....	2
Chapter 1 The ICAS and H Range	3
Figure 1.1 Block Diagram.....	3
Chapter 2 Installing The ICA5S and ICA5A	4
Pre Installation.....	4
Figure 2.1 Dimensions	4
Power Connections	5
Figure 2.2 Connection Details	5
Figure 2.3 Connection Details for Best EMC Immunity	5
Table 2.1	6
Output Connections	6
Output Shunt Resistance Formula	6
Chapter 3 Setting Gain and Offset Values	7
Calculating the Gain Resistor (R2).....	7
Offset Resistor (R1)	7
Chapter 4 Calibration	8
Figure 4.1 Connection Details for Calibration	8
Chapter 5 Troubleshooting	9
Chapter 6 Product Care	10
Chapter 7 Glossary	11
Chapter 8 Specifications	13
Table 8.1 ICA5S - 4-20mA 2 wire Specifications.....	13
Table 8.2 ICA5A - 4-20mA 2 wire Specifications	14
Other Mantracourt Products	15

Introduction to the ICAS and ICAH Range of In-Cell Amplifiers

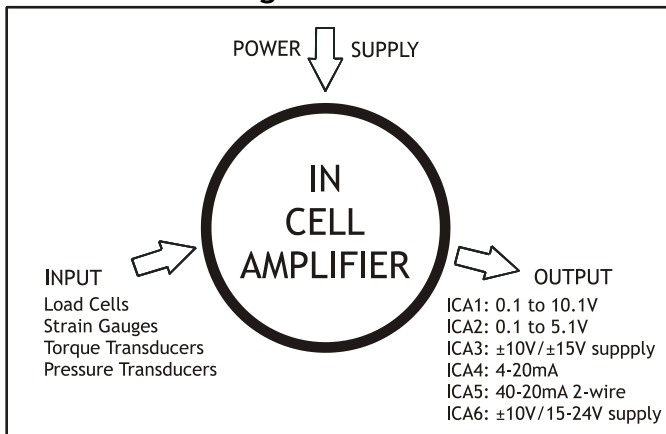
Two new families, the ICAS (industrial stability) and ICAH (high stability) have been introduced into the Mantracourt range of In-Cell Amplifiers. They offer improved performance and easier installation over the original designs.

The following points detail the main changes:

- The ICA1 and ICA2 output ranges have been changed to cover 0.1V to 10.1V and 0.1V to 5.1V respectively to facilitate calibration and interpretation of the output level.
The linearity has been improved at the lower end of the scale (down to 70mV output).
- Excitation is standardised at 5V DC on the ICA1,2,3,4 and 6.
- The performance of the ICA family has been much improved over the operating temperature range by using high performance, auto-zero amplifiers and low drift resistors.
The standard ('S') versions give a 200% improvement compared to the earlier versions.
The high performance ('H') versions are fitted with higher-specification resistors to offer a 400% improvement over the earlier versions.
- The user-selectable span resistor is mounted via two standard plated through holes in the printed circuit board making it easier to change if required.
There is also provision for a second resistor (not normally fitted) to give an offset zero if required for example, 5.1V \pm 5V for an ICA1.
- All wire connections are via plated through holes instead of the single-sided pads used in the original design. This allows all wires to enter from either side of the board resulting easier installation and improved joint reliability.
- Multi-layer printed circuit boards and additional filtering has been added to further improve the EMC performance.
- Faster and easier mounting/installation: The mounting hole size and position has been standardised on all models and also provides the capacitive-coupling connection to the sensor body which further improves the EMC performance.
The hole will accommodate a 2mm (#0-80) screw with adequate clearance for the head.
As this mounting method is compatible with our range of 'D-Cell' products, a single pocket design will accept either digital or analogue conditioners.
- An ATEX (Intrinsic Safety) certified version of the ICA5 will be introduced.
- All variants are RoHS compliant.
- All models have a reduced height of just 7.6mm. The diameter remains at 19.5mm.
- A new model, the ICA6 has been introduced which will provide a \pm 10 Volt output from a uni-polar 15 to 28V supply.
- Non-interaction between the trimmers makes calibration easier and faster.

Chapter 1 The ICAS and H Range

Figure 1.1 Block Diagram



The ICA is a Strain Gauge Amplifier, converting a strain gauge input to a Volt or mA output - otherwise known as a Signal Conditioner.

The ICA provides a wide range of signal conditioning for Strain Gauges, Load Cells, Pressure and Torque Transducers.

Offered in 6 versions and two performance categories, ICAS and ICAH. The ICAH offers lower drift over the operating temperature range.

- ICA1 - 3 wire - 0.1 to 10.1V
- ICA2 - 3 wire - 0.1 to 5.1V
- ICA3 - 4 wire - $\pm 10V / \pm 15V$ supply
- ICA4 - 3 wire - 4 to 20mA
- ICA5 - 2 wire - 4 to 20mA
- ICA6 - 3 wire - $\pm 10V / 15-24V$ supply

This manual only deals with the ICA5 version, separate manuals exist for versions ICA1 & 2, ICA3 and ICA4.

The ICA5 is available in two versions, the standard ICA5S and the soon to be introduced ATEX (intrinsic safety) ICA5A.

N.B. The ICA5 is designed for a 1k bridge, however 350R can be used with a reduced performance.

Transducer **SENSITIVITY** of between 0.5 mV/V and 55 mV/V are possible. It is optimized to 2.5 mV/V. Sensitivity adjustment is achieved by a combination of gain (span) resistor 'R2' change and associated *fine adjustment* by potentiometer.

Similarly transducer **ZERO** can be compensated for in the module. This adjustment is to compensate for slight errors in the strain gauge and not to offset tare. The value of R1 (Figure 2.2) can be modified to increase the trim range of the zero point.

Chapter 2 Installing The ICA5S and ICA5A

Pre Installation

See Specification Details in Chapter 8 for details of Environmental Approvals.

Carefully remove the ICA unit from its shipment box. Check that the unit is complete and undamaged.

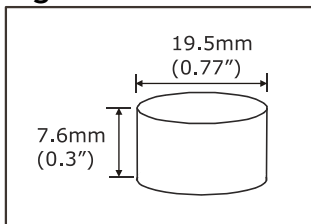
The ICA units can operated in any industrial environment providing the following limits are not exceeded

Operating Temperature	-40°C to +85°C
Humidity	95% non condensing
Storage temperature	-40°C to +85°C

The following installation practices are advised:

- Minimise vibration
- Do not mount next to strong electrical fields (transformers, power cables)
- Ensure easy access to the module
- Install electrical protection device as the unit is not internally fused
- Always ensure the package is secure and protected

Figure 2.1 Dimensions



The module is designed to fit in the strain gauge pocket. Use the 2.1mm hole to secure the unit and to provide a good ground connection.

The mounting hole will accept an M2 screw or American equivalent #0-80.

Important Note: DO NOT USE #2 screw size.

Take care when soldering cables to the pads. Use a temperature controlled soldering iron set to a maximum 330 °C, for no longer than 2 seconds per pad. Excessive heat or increased soldering time may result in damage to the PCB.

If changing resistor R1 or R2 do so at a workbench and not on site.

Check the relevant details for model ICA5- ensure the module matches the instructions.

The ICA5 solder pads are as shown

4 pads for the strain gauge

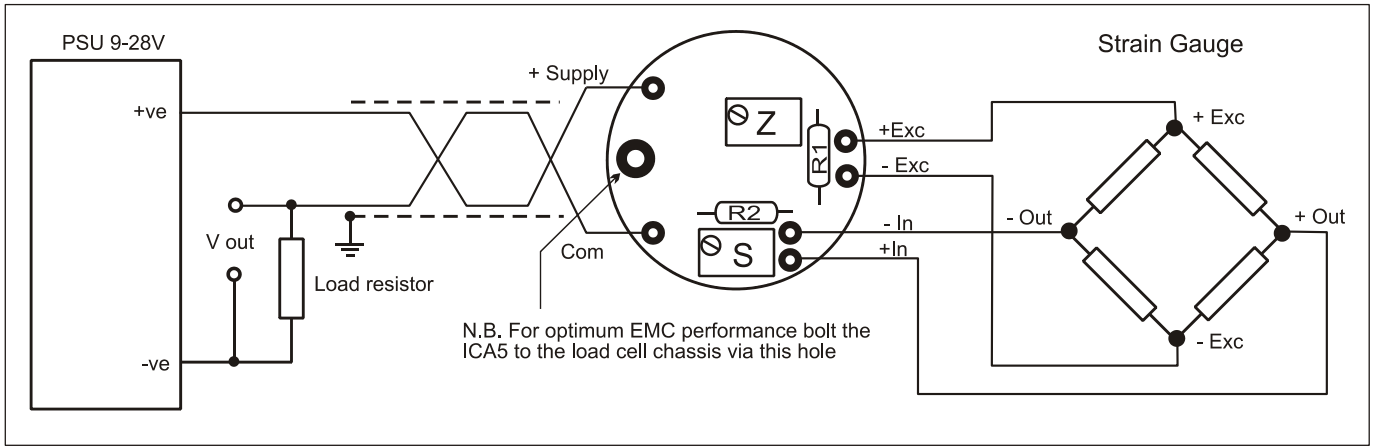
2 pads for power supply/signal

The fixing screw hole provides a ground connection to improve EMC performance.

Power Connections

The power supply for the ICA5S should be between 7.5 and 28V
 The minimum supply for the ICA5A version is 9V

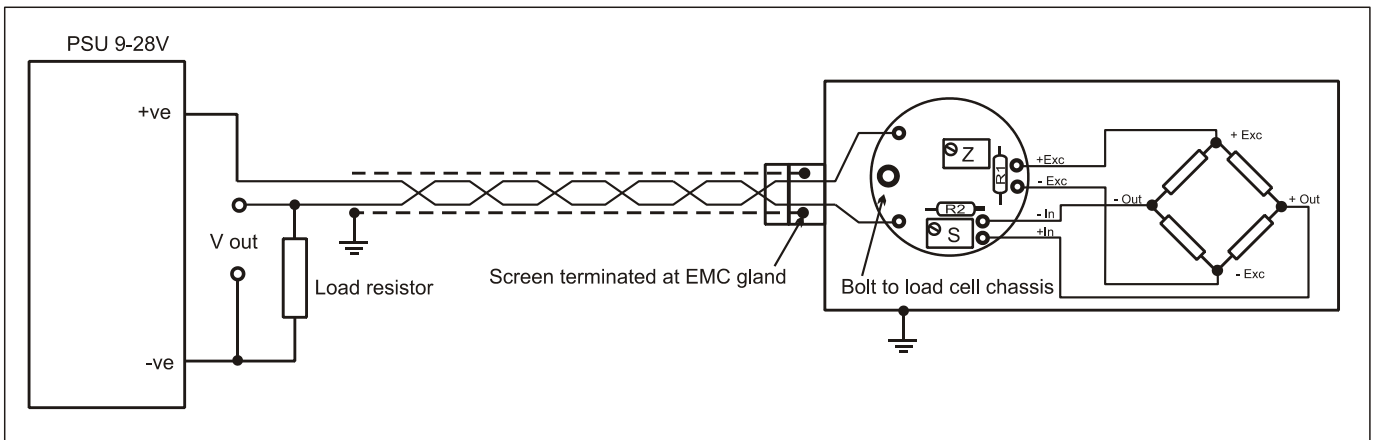
Figure 2.2 Connection Details



The strain gauge cable should be attached to the solder pads as illustrated.

N.B The voltage between either of the power supply connections and the load cell chassis should not exceed 50V. Any leakage will be greater than 10M Ohms.

Figure 2.3 Connection Details for Best EMC Immunity



The securing bolt should be used to provide a good electrical ground and mechanical support. This is important for optimum EMC performance.

Table 2.1

This typical cable data is provided for information only.

The cable should have 2 x twin twisted cables. Ideally each pair should be individually shielded and with an overall shield.

Country	Supplier	Part No	Description
UK	Farnell	118-2117	Individually shielded twisted multipair cable (7/0.25mm)- 2 pair Tinned copper drain. Individually shielded in polyester tape. Diameter: 4.1mm Capacitance/m: core to core 115 pF & core to shield 203 pF
Note: For easy connections the above 1 pair cable is recommend, however the ones below can be used:			
UK	Farnell	585-646	Individually shielded twisted multipair cable (7/0.25mm)- 3 pair Tinned copper drain. Individually shielded in polyester tape. Diameter: 8.1mm Capacitance/m: core to core 98 pF & core to shield 180 pF
UK	RS	626-4761	Braided shielded twisted multipair cable (7/0.2mm)- 1 pair Miniature- twin -round Diameter: 5.2 mm Capacitance/m: core to core 230 pF & core to shield 215 pF

The ground connection conductor should have sufficient cross-sectional area to ensure a low impedance path to attenuate RF interference.

Output Connections

The ICA5 analogue output is 4 to 20mA. The power and signal are combined in a single pair cable, simplifying installation.

N.B. Neither connection to the output load is electrically common to the load cell.

The following formula gives the suitable range of shunt resistance for low supply voltage operation.

Output Shunt Resistance Formula

ICA5S: the shunt resistance must be less than:

$$((V_{\text{supply}} - 7.5) / 20\text{mA}) - R_{\text{wiring}}$$

e.g. assuming 10 Ohms wiring resistance and 9V supply:

$$\text{Max shunt resistance} = ((9 - 7.5) / 0.02) - 10 = 65 \text{ Ohms}$$

ICA5A: the shunt resistance must be less than:

$$((V_{\text{supply}} - 9) / 20\text{mA}) - R_{\text{wiring}}$$

Chapter 3 Setting Gain and Offset Values

The ICA5 (4 to 20mA) In-Cell strain gauge amplifier is supplied un-calibrated but optimized for a sensitivity of 2.5mV/V. To accommodate other sensitivities the gain resistor 'R2' as shown in Figure 2.2, can be changed according to the following formulae.

N.B. a high quality component (e.g. 1% 50 ppm metal film device) should be used for optimum performance. It may be necessary to use an E96 value for optimum trim range: -

Calculating the Gain Resistor (R2)

$$R2 = \left(\frac{613.6}{(mV/V) \times V_{exc}} - 10 \right) \text{ k Ohms}$$

Where mV/V is the sensitivity of the load cell (in mV/V), V_{exc} is the excitation voltage (in volts).

The following table gives calculated values of V_{exc} for various standard load cell impedances:

Load Cell Impedance	Excitation voltage (V_{exc})
350	0.53
700	0.87
1000	1.08
1400	1.29
2000	1.51
5000	1.97

e.g. For a 2.5mV/V 1000 Ohm load cell : $R2 = 217\text{k Ohms}$ - use 220k (nearest preferred value)

Use the following formulae to calculate the excitation voltage for cell impedances not given in the table:

$$R_x = \left(\frac{1}{(1/R_{cell}) + 4.762 \times 10^{-6}} \right) \text{ Ohms}$$

$$V_{exc} = \left(\frac{2.5 \times R_x}{R_x + 1300} \right) \text{ Volts}$$

e.g. for a 500 Ohm load cell:

$R_x = 498.8 \text{ Ohms}$

Excitation Voltage, $V_{exc} = 0.693\text{V}$

Offset Resistor (R1)

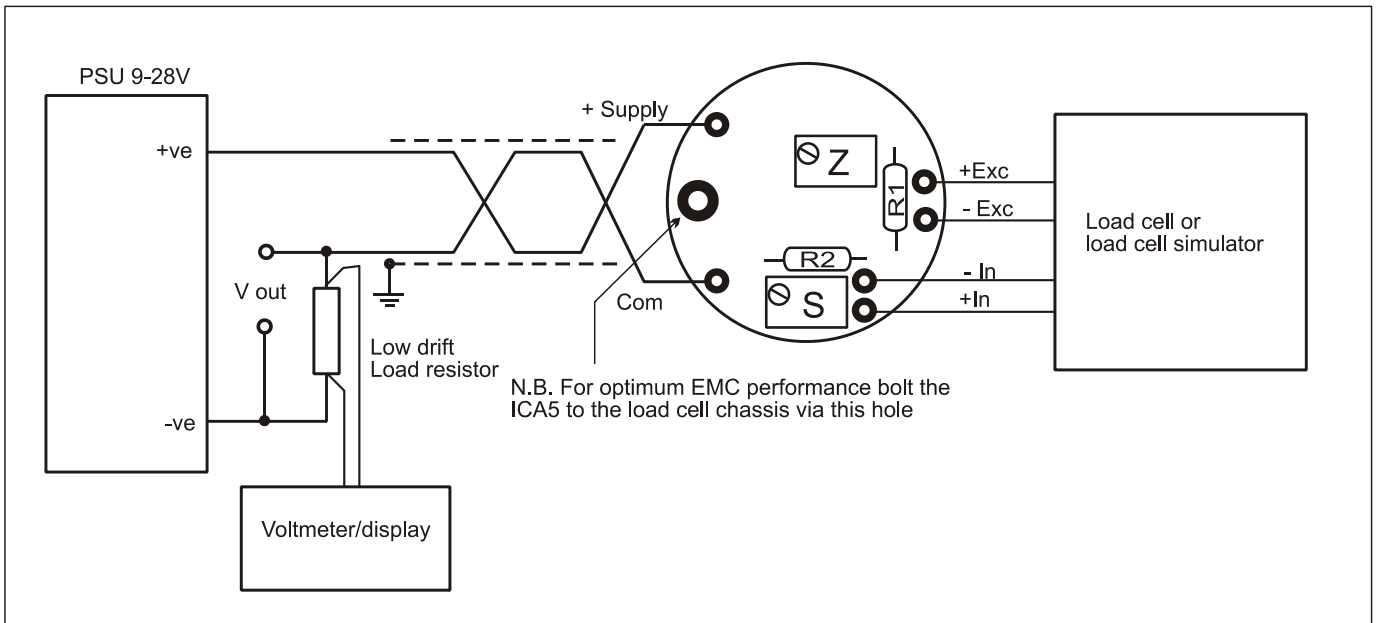
The value of R1 can be changed to offset the zero point, if outside the normal trimming range ($\pm 2\%$ FS).

Its value will also depend on the impedance of the load cell. The factory-fitted value, 180k is optimised for a 1000 Ohm cell.

If a 350 Ohm cell is used, R1 should be reduced to 30k to achieve a trim range of $\pm 2\%$ FS

Chapter 4 Calibration

Figure 4.1 Connection Details for Calibration



1. Apply the **low** calibration conditions (weight, force or mV/V). Set the output to 4mA using the 'Z' potentiometer.
2. Apply the known **high** calibration conditions (ideally between 75% and full scale) and adjust the 'S' potentiometer to give the required output current for the known input.
e.g. 16mA for 4-20mA final calibration with 75% input or 20mA if 100% input.

Chapter 5 Troubleshooting

1. No Output

- a) Check power supply is present and the correct polarity
- b) Check the output connections are correct with no open circuit connections
- c) Check terminations (ensure there are no dry joints)
- d) Check the sensor is connected with the power off (impedance check)
- e) Check the Excitation voltage is correct
- f) Check the load is connected and is not open or short circuited
- g) Check Span and Gain calibration

2. Low Output

This is when an output is present but not of sufficient magnitude to meet the required value. Remember to allow for Tare Weight and ensure it is measured and allowed for in the output from the ICA

- a) Check power supply is within specified limits (i.e. is not low - Voltage check)
- b) Check the sensor is connected (typically reading 1000 Ohm across output + & -) with the power off
- c) Check the Excitation voltage is at 1.1V dc for a 1k load cell (0.53V for 350R)
- d) Check the calibration
- e) Check the Zero (offset) is correct for the sensor, this too is a common reason for low outputs

3. High Output

This is when an output is present but higher (in span or zero) than expected.

High output is not normally a problem. It is most likely to be incorrect connections and as such the output would be high and fixed.

- a) Check the sensor is connected (Impedance check) with the power off
- b) Check the Excitation voltage is at 1.1V dc (assuming a 1k load cell)
- c) Check the Zero (offset)
- d) Check the calibration

4. Unstable Output

This is when the output is unstable or varies. The cause could be (a) poor installation or (b) a noisy environment.

Poor Installation - This is when an output is present but higher or lower (in span or zero) than expected:

- a) Check the installation for problems and repair where necessary
- b) Poor termination
- c) High resistance on cable leads
- d) Low insulation impedance
- e) Proximity to High Voltage Equipment - Transformers, Contactors, Motors etc.

Noisy Environment-

- a) Check if the source can be found and remove noise
- b) Check the cable shielding and ensure it is correctly installed and terminated

5. Calibration

This section assumes that the unit is providing an output that is not stuck at top or bottom of the scale.

(See paragraphs 1-3 if this is the case)

Ensure you are connected to the correct sensor and not to another adjacent unit.

Ensure you have the correct calibration data from the sensor manufacturer. This must include a certified table with offset, zero and linearity.

Ensure you have the calibration set-up correctly installed i.e. mV source and output as required.

Ensure the temperature and other environmental parameters are within specification and where necessary taken into account when calibrating should such parameters have an effect on the calibration.

6. Fine Span (Gain) and Zero (Offset) Adjustment Problems

If the adjustment cannot reach the maximum output desired then, check the tare is not too high.

If the potentiometer does not alter the output the unit must be repaired - remove from service.

It is always wise to check a known good ICA against the problem Installation before rejecting the suspect ICA.

Chapter 6 Product Care

A worn out component, excessive use in harsh environments, an overly zealous operator; regrettably some circumstances necessitate repair.

At Mantracourt Electronics Ltd we can't guarantee that a product will never require repairing. We can, however, promise a repair service of exceptional quality, one which is governed by a rigorous procedure.

Detailed below is our pledge to you: a defined set of ground rules and procedures to which we will adhere. All we ask in return is that you assist us with our procedure, such that we can maintain our promise to you. Please note that warranty repairs may not be available on overdue accounts, and that a strict interpretation of our conditions of trading invalidates warranty claims where late payment has occurred.

Please refer to 'Customer Repair Service Procedure' document - contact your supplier for a copy.

In the unlikely event you have problems with the ICA module we would advise that you take the following precautions:-

- The unit is installed as instructed.
- Recommended spares are kept in stock. We can assist.
- Sufficient expertise available for first line maintenance.
- Routine maintenance checks are performed - annually is recommended.
- The necessary documentation for the product is available to the maintenance personnel.

We recommend you keep on file - as a minimum

- This Manual
- The calibration figures for the attached sensors
- A record of the 'normal' output - if applicable
- A calibration record of the ICA
- A contact phone number from the supplier for assistance

Chapter 7 Glossary

AWG	American Wire Gauge.
Background Noise	The total noise floor from all sources of interference in a measurement system, independent of the presence of a data signal. (See Noise)
Bipolar	The ability of a signal conditioner to display both positive and negative readings.
Bridge Resistance	The resistance measured across the excitation terminals of a Strain Gauge.
Calibration	Adjustment of an instrument or compiling a deviation chart so that it's reading can be correlated to the actual value being measured.
CMR (Common-Mode Rejection)	The ability of an instrument to eliminate the effect of AC or DC noise between signal and ground. Normally expressed in dB at DC to 60 Hz. One type of CMR is specified between SIG LO and PWR GND. In differential meters, a second type of CMR is specified between SIG LO and ANA GND (METER GND).
Common Mode Rejection Ratio	The ability of an instrument to reject interference from a common voltage at its input terminals with relation to ground. Usually expressed in db (decibels).
Drift	Change of a reading/set point value over periods due to several factors including change in ambient temperature, time and line voltage.
Excitation	The external application of electrical voltage current applied to a transducer for normal operation.
Fine Adjustment	Zero and Span calibration have a Fine Adjustment to give accuracy to the calibration. These are potentiometers P1 and P2 for Span and Zero respectively.
Full Bridge	A Wheatstone Bridge configuration utilizing four active elements or Strain Gauges.
Full Range Output	The algebraic difference between the minimum output and maximum output.
Gain	Gain is otherwise identified as SPAN. It relates to the proportional output to the sensor input. Calibration of the ICA is determined by setting the Gain (Span) and Offset (Zero). The amount of amplification used in an electrical circuit.
Ground	The electrical neutral line having the same potential as the surrounding ground.
Linearity	The closeness of a calibration curve to a specified straight line. Linearity is expressed as the maximum deviation of any calibration point on a specified straight line during any one calibration cycle.
Load	The electrical demand of a process expressed as power (watts), current (amps) or resistance (ohms).
Load Impedance	The impedance presented to the output terminals of a transducer by the associated external circuitry.
Load Cell	The load cell is one of a series of STRAIN GAUGE sensors that the ICA input is designed to accept. (Torque Sensor, Pressure & temperature transducers).
Millivolt	One thousandth of a volt, 10^{-3} volts symbol mV.
Noise	An unwanted electrical interference on the signal wires.
Null	A condition, such as balance, which results in a minimum absolute value of output.
Offset	Offset is otherwise identified as ZERO. Calibration of the ICA is determined by setting the Offset (Zero) and Gain (Span).
Potentiometer	Two potentiometers (variable resistors) are used in the ICA for fine calibration.
Pressure Transducer	The Pressure Transducer is one of a series of Strain Gauge sensors that the ICA input is designed to accept. (Torque Sensor, Load Cell and Temperature Transducers).
Proportional Outputs	The Voltage or Current outputs are calibrated to be directly proportional to the input from the sensor. The output is, within the sensor limits, taken as linear and no linearity compensation is required within the ICA.

Resolution	The input corresponding to a one-unit change in the least significant digit of the data acquisition/display equipment. (Good resolution is not necessarily equal to good accuracy.)
Sensing Element	That part of the Transducer, which reacts directly in response to the input.
Sensitivity	This is the relationship between the change in Strain Gauge input to the level or magnitude of the output.
Signal Conditioner	A circuit module that offsets attenuates, amplifies linearizes and/or filters the signal. The ICA is essentially a Signal Conditioner -more specifically known as a Strain Gauge Amplifier - in that it CONDITIONS (alters) the input signal from a load cell to an electrical output.
Single Card Assembly	The ICA has only the one Printed Circuit Board assembly on which all the components are mounted. The assembly is then mounted inside an environmentally rugged enclosure.
Span	Span is otherwise identified as GAIN. It relates to the proportional output to the sensor input. Calibration of the ICA is determined by setting the Span (Gain) and Zero (Offset).
Span Adjustment	The ability to adjust the gain of a process or strain meter so that a specified display span in engineering units corresponds to a specified signal span.
Stability	The quality of an instrument or sensor to maintain a consistent output when a constant input is applied.
Strain Gauge	The Strain Gauge is a resistance bridge device where the bridge value alters linearly and proportionally to the force exerted on it - be it pressure, torque or load. The ICA is designed to convert this change in the Strain Gauge to a proportional electrical signal.
Strain Gauge Amplifier	The ICA1 & 2 is essentially a type of Signal Conditioner that it conditions (alters) the input signal from a strain gauge to an electrical output
Torque Transducer	The Torque Transducer is one of a series of Strain Gauge sensors that the ICA input is designed to accept.
Wheatstone Bridge	A network of four resistance's, an emf source, and a galvanometer connected such that when the four resistance's are matched, the galvanometer will show a zero deflection or "null" reading.
Zero	Zero is otherwise identified as OFFSET. It relates to the proportional output to the sensor input. Calibration of the ICA is determined by setting the Span (Gain) and Zero (Offset).
Zero Adjustment	The ability to adjust the display of a process or strain meter so that zero on the display corresponds to a non-zero signal.
Zero Offset	The difference between true Zero and an indication given by a measuring instrument. See Zero Suppression.
Zero Suppression	The Span is Offset from Zero (Zero Suppressed) such that neither limit of the Span will be Zero. For example, an instrument which measures a load of a 100kG Span from 400kG to 500kG is said to have 400kG Zero Suppression.
Units	
AC	Alternating Current
DC	Direct Current
Hz	Hertz (Frequency)
kHz	kilohertz (Frequency)
mA	milliamps
mm	millimetres
SC	Signal Conditioner
ICA	Strain Gauge Amplifier
V	Volts
mV	millivolts

Chapter 8 Specifications

Table 8.1 ICA5S - 4-20mA 2 wire Specifications

Environmental

Parameter	Minimum	Typical	Maximum	Units	Notes
Supply voltage Range	7.5	24	30	Volts	
Operating Temperature Range	-40	-	85	Deg C	
Storage Temperature Range	-40	-	85	Deg C	
Reverse polarity Protection	-30	-	-	Volts	

Measurement

Parameter	Minimum	Typical	Maximum	Units	Notes
Bridge Excitation	1.05	1.11	1.16	Volts	Note 1
Bridge Impedance	350	1000	5000	Ohms	
Bridge Sensitivity	0.5	2.5	55	mV/V	Note 2
Output load	-	-	800	Ohms	Note 3
Bandwidth	DC	-	1000	Hz	
'Zero' adjustment	-	±2	-	%FR	Note 4
'Span' adjustment	-	±8	-	%FR	
Linearity	-	0.02	-	%FR	
Temperature stability					
'Zero' Temperature Stability	-	0.001	0.005	+/-%FR/Deg C	At 2.5mV/V
'Span' Temperature Stability	-	0.007	0.014	+/-%FR/Deg C	At 2.5mV/V

FR=Full Range (16mA)

Note 1: 1000 Ohm load cell - Typically 0.53V for 350 Ohm cell

Note 2: Set by calibration resistor

Note 3: 24V supply minimum.

Note 4: 1000 Ohms load cell - change R1 to suit other load cell impedances.

Note: Recommended bridge impedance is 1,000 Ohms

Note: The voltage between either of the power supply connections and the load cell shield should not exceed 50V. Any leakage will be greater than 10M Ohms.

Table 8.2 ICA5A - 4-20mA 2 wire Specifications

Environmental

Parameter	Minimum	Typical	Maximum	Units	Notes
Supply voltage Range	9.0	24	30	Volts	
Operating Temperature Range	-40	-	85	Deg C	
Storage Temperature Range	-40	-	85	Deg C	
Reverse polarity Protection	-30	-	-	Volts	

Measurement

Parameter	Minimum	Typical	Maximum	Units	Notes
Bridge Excitation	1.05	1.11	1.16	Volts	Note 1
Bridge Impedance	350	1000	5000	Ohms	
Bridge Sensitivity	0.5	2.5	55	mV/V	Note 2
Output load	-	-	700	Ohms	Note 3
Bandwidth	DC	-	1000	Hz	
'Zero' adjustment	-	±2	-	%FR	Note 4
'Span' adjustment	-	±8	-	%FR	
Linearity	-	0.02	-	%FR	
Temperature stability					
'Zero' Temperature Stability	-	0.001	0.005	+/-%FR/Deg C	At 2.5mV/V
'Span' Temperature Stability	-	0.007	0.014	+/-%FR/Deg C	At 2.5mV/V

FR=Full Range (16mA)

Note 1: 1000 Ohm load cell - Typically 0.53V for 350 Ohm cell

Note 2: Set by calibration resistor

Note 3: 24V supply minimum.

Note 4: 1000 Ohms load cell - change R1 to suit other load cell impedances.

Note: Recommended bridge impedance is 1,000 Ohms

Note: The voltage between either of the power supply connections and the load cell shield should not exceed 50V. Any leakage will be greater than 10M Ohms.


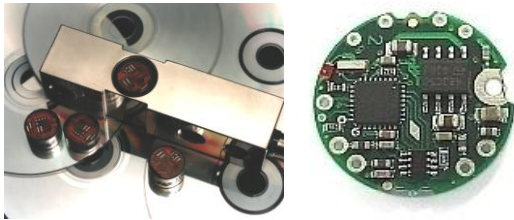
CE Approvals

European EMC Directive 2004/108/EC
 BS EN 61326-1:2006
 BS EN 61326-2-3:2006

Other Mantracourt Products

www.mantracourt.co.uk

Signal Conditioning

<p>SGA STRAIN GAUGE AMPLIFIER</p> <ul style="list-style-type: none"> • Connect up to 4 strain gauges • Proportional mA and/or Voltage output • Simple DIL switch configuration • Set Sensitivity and Low pass filter and output • Simple - Reliable - Rugged 	<p>RCA15 RACK MOUNTED INTELLIGENT STRAIN GAUGE AMPLIFIER</p> <p>Complete MULTI-CHANNEL system for Strain gauges.</p> <ul style="list-style-type: none"> • Relay and/or serial outputs per channel • Multidrop serial link • 19" Eurorack x 3U high. • Capability similar to the ADW 15. • High integrity / compact Data acquisition unit
<p>LCA IN-LINE INTELLIGENT STRAIN GAUGE AMPLIFIER</p> <ul style="list-style-type: none"> • 2 Set Points • 4 to 20 mA AND 0 to 10 V (isolated) outputs • RS 232/485 Communications port • On-Board easy to use Programmer • Auto tare-Auto calibrate-and much more..... 	<p>ADW15 Mantraweigh 72 mm DIN Module - Display & Controller</p> <ul style="list-style-type: none"> • 10 mm LED Display (Configurable) • Sensitivity from 0.5 mV to 200 mV/V • 10 V @150 mA Excitation • Isolated I/O100mSec sample rate • Set Point Relays • 4 to 20 mA Output • Programmable via keypad
<p>FIELD BUS CONNECTIVITY IN TWO EXCELLENT PACKAGES</p>	
<p>DSC The Digital Strain Card</p>	<p>'D'Cell The 'in-cell' Digital Strain Puck</p>
 <p>A rectangular printed circuit board (PCB) with various electronic components, connectors, and a label that reads 'DSCS2ASC', 'Serial No. 1000284011', and 'MANTRACOURT ELECTRONICS LIMITED'.</p>	 <p>Two circular components: one is a metal housing with a strain gauge attached, and the other is a green PCB with various electronic components.</p>
<p>Mount this package adjacent to the strain gauge</p>	<p>Mount this package directly into the strain gauge pocket</p>
<p>Plug-in-and-go-sensor</p>	<p>High accuracy</p>
<p>Integrate the electronics with the loadcell, remove the cost, space and bother of additional electronics and have a direct output provided in REAL ENGINEERING UNITS.</p>	<p>A quantum leap in the quality of measurement.</p>
	<p>Accuracy (1 part in half a million) Temperature compensated Unwanted Signal noise filter Sensor specific calibration Elimination of induced noise on signals</p>



© In the interests of continued product development, Mantracourt Electronics Limited reserves the right to alter product specifications without prior notice.

Doc No. 517-178

Issue 1.4

01.02.13