

# Male & Female Spherical Rod End Bearings

TYPE: RODENDS

## Description

Various load cells offered by LCM Systems have male or female end threads. Using rod end bearings allow the application of forces to be aligned through the load cells principle measurement axis, helping to improve the installed accuracy and protect the load cell from any extraneous forces.

When selecting the appropriate rod end bearing, it should match the thread size of the load cell that it will be fitted to. It is also important that the maximum load applied does not exceed the static load rating specified for the rod end selected.

These rod end bearings are maintenance free so need no lubrication.

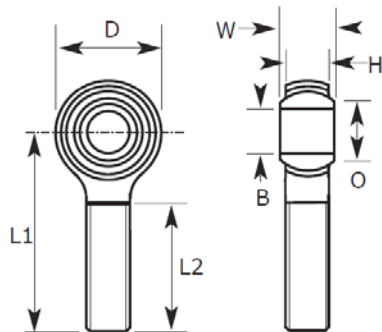
The sizes detailed in this datasheet are the most popular sizes. Other sizes may be available. For further details, please contact LCM Systems Technical Sales.

## Features

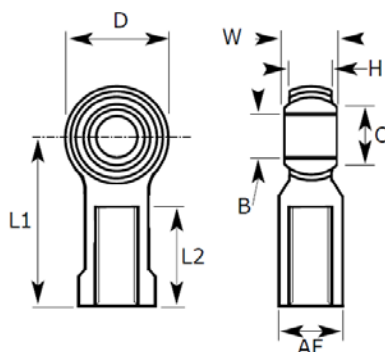
- Steel Housing
- Case hardened bearing
- Improve load cell accuracy by aligning forces through the load cells principle axis
- Maintenance free, no lubrication required
- Supply and calibrated with load cell

## Typical Applications

- Self alignment of forces through load cell
- Adapting of thread on load cell to pin/clevis fitting



THREAD	BORE SIZE	W	H	D	L1	L2	O	STATIC LOAD RATING RADIAL
M6X1.00	6	6	4.4	21	36	12	9.30	3.6kN
M12X1.75	12	10	8.0	34	54	18	15.40	11.4kN
M16X2.00	17	14	11.0	46	69	23	19.30	22.4kN
M20X1.50	20	16	13.0	53	78	27	24.50	31.5kN
M24X2.00	25	20	17.0	64	94	32	29.60	51kN
M30X2.00	30	22	19.0	73	110	37	35.50	65.5kN
M45X3.00	50	35	30.0	112	185	62	61.00	220kN



THREAD	BORE SIZE	W	H	D	L1	L2	O	STATIC LOAD RATING RADIAL
M4X0.70	4	7	5.0	14	24	12	6.30	4.06kN
M5X0.80	8	8	6.0	16	27	14	7.50	5.34kN
M6X1.00	6	6	4.4	21	30	11	9.30	3.6kN
M8X1.25	8	8	6.0	24	36	15	10.40	5.85kN
M12X1.75	12	10	8.0	34	50	23	15.40	11.4kN
M16X2.00	17	14	11.0	46	67	34	19.30	22.4kN
M20X1.50	20	16	13.0	53	77	40	24.50	31.5kN
M24X2.00	25	20	17.0	64	94	48	29.60	51kN
M30X2.00	30	22	19.0	73	110	56	35.50	65.5kN
M45X3.00	50	35	30.0	112	160	68	61.00	220kN

Unit 15,  
Newport Business Park  
Barry Way, Newport,  
Isle of Wight,  
PO30 5GY  
United Kingdom  
Tel: +44 (0) 1983 249264  
Fax: +44 (0) 1983 249266  
sales@lcm systems.com

Due to continual product development, LCM Systems Ltd. reserves the right to alter product specifications without prior notice.

Issue date: 30/08/2012