

TYPE: SGA-JB4



SGA-JB4 Analogue Strain Gauge Load Cell Amplifier and Junction Box

Description

The SGA-JB4 strain gauge signal conditioning module is a cost effective combination signal conditioner and junction box for load cells that offers a wide input signal range. With an input sensitivity range of 1 to 3mV/V, any sensor in this input range can be amplified to give 0-5V, 0-10V or 4-20mA outputs.

The SGA-JB4 is an ideal product for many OEM customers, as its flexibility means that it can be configured to suit most applications. The four signal inputs enable the connection of up to 4 load cells at the same time, with the facility to calculate the total load from all of the load cells.

The SGA-JB4 can be supplied calibrated with any of LCM Systems sensor range or could be integrated within a larger instrumentation system.

Features

- Diecast aluminium enclosure
- Waterproof design
- Precision summing and amplifying circuit
- Low drift
- Long-term stability
- High accuracy

Specification

Input signal	4 x full strain gauge bridge
Bridge resistance	350Ω or 1000Ω
Sensitivity	1 - 3 mV/V
Power supply	12-26V DC
Output signal	0-5V, 0-10V & 4-20mA
Accuracy	±0.05%
Operating temperature	0-70°C @ 85% RH
Environmental sealing	IP65
Case material	diecast aluminium
Weight	480g

Load Cell Output Wiring

Terminal No.	1	2	3	4	5
Function	EXC+	SIG+	SIG-	EXC-	Shield

Power Supply and Signal Output Wiring

Terminal No.	1	2	3	4	5
Function	Power Supply+ 12 - 26V DC	Current Signal Output +	Voltage Signal Output +	Power Supply - Output Signal -	Shield

Typical Applications

- Container weighing
- Vessel weighing
- Boat lift weighing
- Simple weighing systems

Available Options

- IP67 enclosure (ABS)
- OEM PCB version

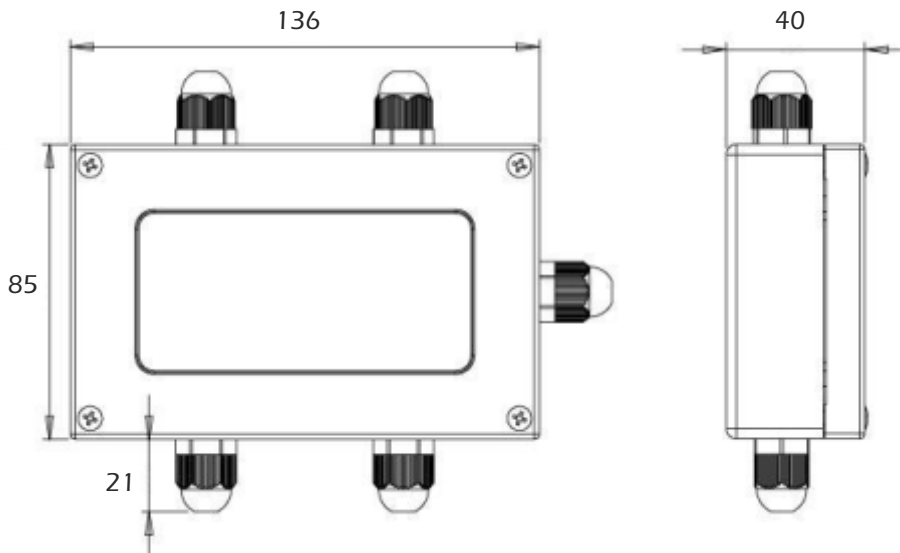
LCM Systems Ltd

Unit 15, Newport Business Park
Barry Way, Newport
Isle of Wight PO30 5GY UK
Tel: +44 (0)1983 249264
Fax: +44 (0)1983 249266
sales@lcm systems.com
www.lcm systems.com

TYPE: SGA-JB4

SGA-JB4 Analogue Strain Gauge Load Cell Amplifier and Junction Box

Dimensions



All dimensions are in mm



www.lcmsystems.com

Due to continual product development, LCM Systems Ltd reserves the right to alter product specifications without prior notice.

Issue No. 1

Issue date: 10/09/2015

APPROVED

(unapproved if printed)