

TYPE: SILL



SILL Load Link

Description

The LCM SILL series have been designed for lifting and weighing in rugged or harsh environments, being manufactured from high tensile aluminium to minimise weight. They are ideal for mobile use (steel brushed holes provide added wear protection from shackles etc).

The SILL load link is simple to install and are matched to standard shackle sizes. They have a built in display which can be selected by the user to display the applied weight or force in tonnes, kgs, lbs or kN. There is an in-built audible alarm, which can be set by the operator to warn when an applied weight/force is met.

For applications where the operator is unable to read the display, there is a handheld remote available. This remote replicates exactly all the functionality that is available on the link itself. Other features include peak hold, gross/net and pre-set tare entry. There is also an RS485 digital output available. LCM Systems can also offer a bespoke software design facility to meet any specific application requirements.

Specification

Rated load (tonnes)	1, 2.5, 5, 12, 25, 35, 50, 75, 100, 150, 200, 250, 300
Proof load	200% of rated load
Safety factor	500% of rated load (1, 2.5, 5, 12, 25, 35, 50, 75, 200 te) 400% of rated load (100, 150, 250, 300 te)
Display	6 digit LCD, 25mm high digits with unit indication
Display units	te, lbs, kg & kN
Non-linearity	<±0.1% of rated load
Non-repeatability	<±0.05% of rated load
Power supply	9 volt PP3 battery (life 80 hours minimum)
Operating temperature range	-10 to +50°C
Compensated temperature range	-10 to +50°C
Zero temperature coefficient	<±0.02% of rated load/°C
Span temperature coefficient	<±0.02% of rated load/°C
Environmental protection level	IP65

Available Options

- Remote handheld load cell indicator
- Bespoke software packages
- Crosby shackle supply

Features

- Ranges from 1 to 300 tonnes
- Lightweight aluminium construction
- Shackle holes are steel brushed
- Environmentally sealed to IP65
- Audible alarm facility as standard
- Can display in te, kg, lb and kN as standard (selectable by operator)
- Peak hold facility

Typical Applications

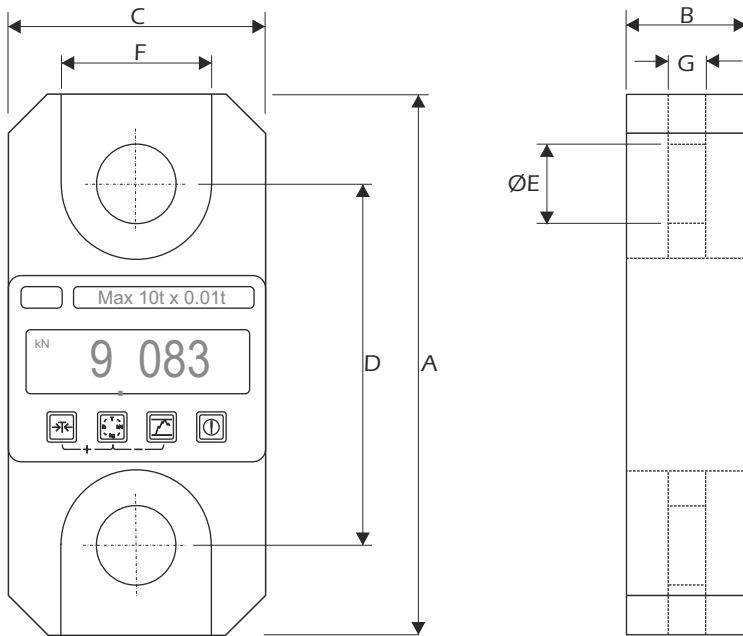
- Underhook crane weighing
- Crane load testing
- Beam proof testing
- Water bag calibration
- Cable tension measurement

LCM Systems Ltd

Unit 15, Newport Business Park
Barry Way, Newport
Isle of Wight PO30 5GY UK
Tel: +44 (0)1983 249264
Fax: +44 (0)1983 249266
sales@lcm systems.com
www.lcm systems.com

SILL Load Link

Dimensions

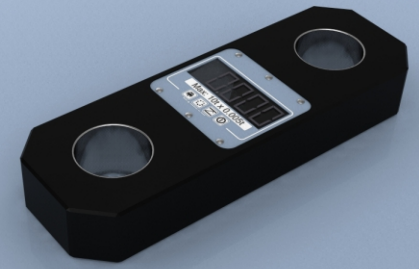
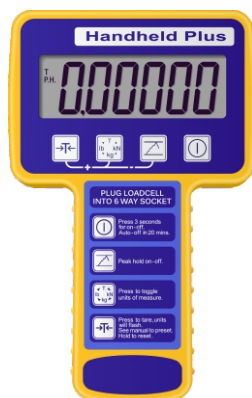


All dimensions are in mm

Rating (tonnes)	A	B	C	D	ØE	F	G	Resolution (tonnes)	Weight (kg)
1	204	43	101	146	24.5	48	19	0.0005	1.5
2.5	204	43	101	146	24.5	48	19	0.001	1.5
5	249	43	101	165	38	66	32	0.001	2.2
12	305	47	101	193	47.5	N/A	N/A	0.002	3.5
25	340	60	115	215	55	N/A	N/A	0.005	5.2
35	393	75	126	225	60	N/A	N/A	0.005	9
50	424	75	163	230	76	N/A	N/A	0.01	11
75	470	75	202	260	76	N/A	N/A	0.01	18
100	608	99	255	320	108	N/A	N/A	0.05	37
150	670	99	303	360	109	N/A	N/A	0.05	51
200	700	144	320	350	132	N/A	N/A	0.1	80
250	700	144	320	350	132	N/A	N/A	0.1	80
300	806	150	426	350	160	N/A	N/A	0.1	132

Optional Handset

- Push button control
- Tare, units (kg, lbs, kN & tonnes)
- Peak hold
- Preset tare
- Audible setpoint alarm
- Overload counter



www.lcmsystems.com

Due to continual product development, LCM Systems Ltd reserves the right to alter product specifications without prior notice.

Issue No. 2

Issue date: 09/04/2015

APPROVED

(unapproved if printed)

This refers to the SILL data sheet.

Issue 1
Date: Content checked & approved: _____
Andy Bell - Engineering Manager

Amendment Details

Issue 2
Date: Content checked & approved: _____
Andy Bell - Engineering Manager

Amendment Details

Issue 3
Date: Content checked & approved: _____
Andy Bell - Engineering Manager

Amendment Details

Issue 4
Date: Content checked & approved: _____
Andy Bell - Engineering Manager