

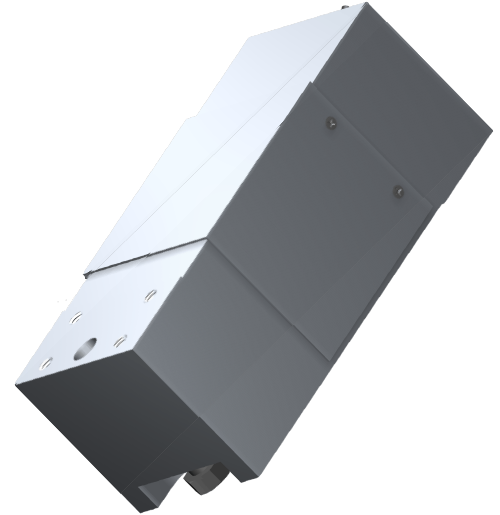
## Medium Range Single Point Load Cell

### Description

The SPB-6 is a medium range anodised aluminium alloy single point load cell, which has been specifically designed for platform weighing applications, although it is equally suited to other weighing and force measurement applications where high accuracy is required.

The SPB-6 is suitable for use in platforms with sizes up to 600mm x 600mm. It is environmentally sealed as standard to IP65, but can be offered with IP67 sealing.

The SPB-6 series can be supplied on it's own or combined with our extensive range of instrumentation to provide a complete load monitoring system.



### Features

- Ranges 50, 75, 100, 150, 200, 250, 300, 500, 635, 750, 1000, 1500kg
- Anodised aluminium construction
- Environmentally sealed to IP65 (IP67 optional)
- High accuracy (<math>\pm 0.02\%</math>)
- Suitable for use in platforms, maximum size 600mm x 600mm

### Typical Applications

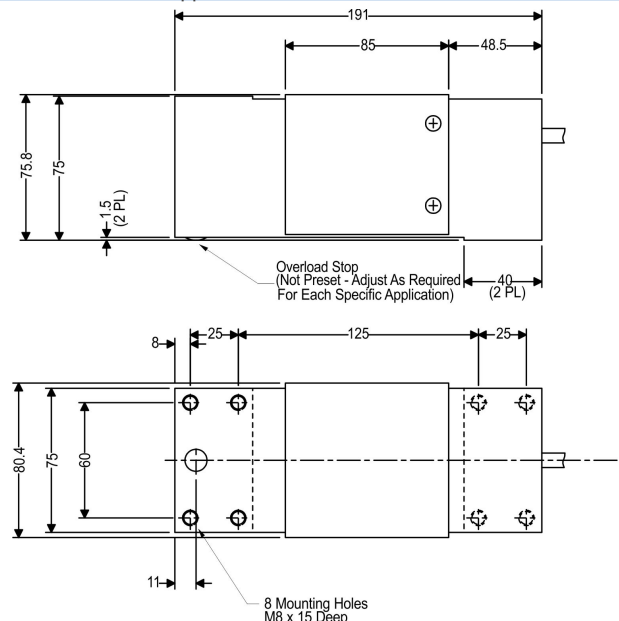
- Large platform scales
- Check weighing
- Hanging scales
- Web tension measurement
- Portable equipment weighing

### Specification

Rated Load (kg):	50, 75, 100, 150, 200, 250, 300, 500, 635, 750, 1000, 1500		
Proof Load:	150% of Rated Load		
Ultimate Breaking Load:	250% of Rated Load		
Output:	2.0 mV/V at Rated Load ( $\pm 10\%$ )		
Accuracy:	<math>\pm 0.02\%</math> of Rated Load		
Non-Repeatability:	<math>\pm 0.01\%</math> of Rated Load		
Excitation Voltage:	10vdc recommended, 15vdc maximum		
Bridge Resistance:	415 $\Omega$		
Insulation Resistance:	>500M $\Omega$ @ 100vdc		
Operating Temperature Range:	-20 to +70 $^{\circ}$ C		
Compensated Temperature Range:	-10 to +40 $^{\circ}$ C		
Zero Temperature Coefficient:	<math>\pm 0.002\%</math> of Rated Load/ $^{\circ}$ C		
Span Temperature Coefficient:	<math>\pm 0.003\%</math> of Rated Load/ $^{\circ}$ C		
Environmental Protection Level:	IP65		
Connection Type:	PVC screened cable 3m long		
Wiring Connections:	Green +ve supply	Black -ve supply	
	Blue +ve sense	Brown -ve sense	
	Red +ve signal	White -ve signal	
Options Available	Can be supplied sealed to IP67		

### Mechanical Dimensions

All dimensions in millimeters



Unit 15,  
Newport Business Park  
Barry Way, Newport,  
Isle of Wight,  
PO30 5GY  
United Kingdom  
Tel: +44 (0) 1983 249264  
Fax: +44 (0) 1983 249266  
sales@lcmsystems.com

Due to continual product development, LCM Systems Ltd. reserves the right to alter product specifications without prior notice.

Issue date: 17/11/2011