

STA-5 Stainless Steel S Type Tension/Compression Load Cell

Features

- Ranges 500, 1000, 2000, 5000kg
- Stainless steel fully welded construction
- Environmentally sealed to IP68
- Can be supplied complete with mating spherical rod-end bearings

Typical Applications

- Vessel weighing
- Hanging scales
- Engine/motor dynamometers
- Material/tensile test machines
- Process Weighing
- Multi point structural weighing

Unit 15,
Newport Business Park
Barry Way, Newport,
Isle of Wight,
PO30 5GY
United Kingdom
Tel: +44 (0) 1983 249264
Fax: +44 (0) 1983 249266
sales@lcm systems.com

Due to continual product development, LCM Systems Ltd. reserves the right to alter product specifications without prior notice.

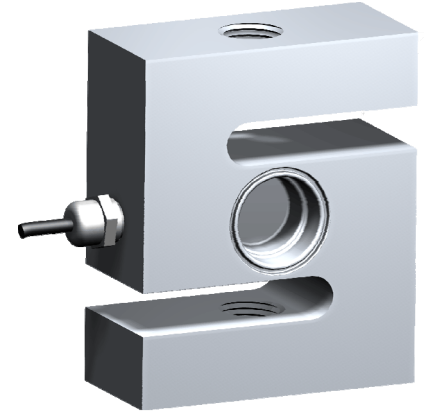
Issue date: 17/11/2011

Description

The STA-5 series load cell is ideal for measuring both tensile and compressive forces. The standard metric threads at each end of the load cell are designed to accept standard spherical seating rod-end bearings.

The STA-5 is suitable for many applications where a tension and compression load cell is required, for high accuracy measurements. Applications such as vessel weighing, material test machines and dynamometers are a few examples.

The STA-5 series can be supplied on it's own or combined with our extensive range of instrumentation to provide a complete load monitoring system.

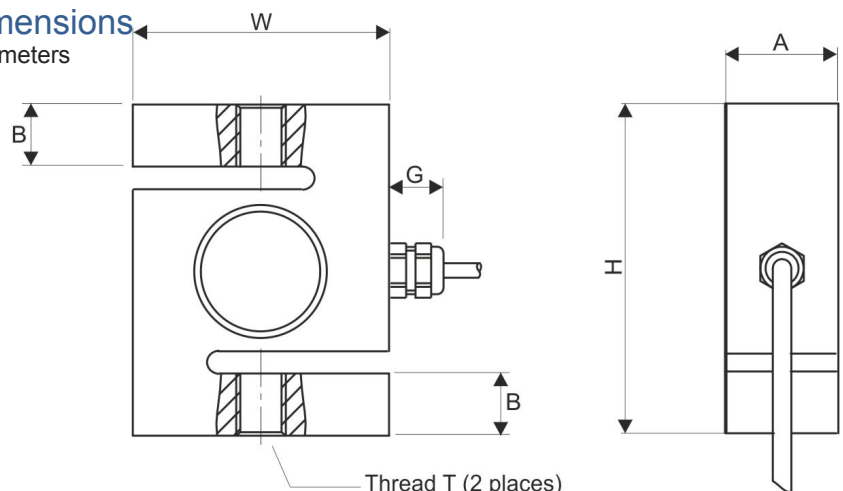


Specification

Rated Load (kg):	500, 1000, 2000, 5000		
Proof Load:	150% of Rated Load		
Ultimate Breaking Load:	>300% of Rated Load		
Output:	2.0 mV/V at Rated Load ($\pm 0.2\%$)		
Accuracy:	$< \pm 0.02\%$ of Rated Load		
Non-Repeatability:	$< \pm 0.01\%$ of Rated Load		
Excitation Voltage:	10vdc recommended, 15vdc maximum		
Bridge Resistance:	350 Ω		
Insulation Resistance:	>1000M Ω @ 100vdc		
Operating Temperature Range:	-30 to +90°C		
Compensated Temperature Range:	-10 to +40°C		
Zero Temperature Coefficient:	$< \pm 0.002\%$ of Rated Load/°C		
Span Temperature Coefficient:	$< \pm 0.002\%$ of Rated Load/°C		
Environmental Protection Level:	IP68		
Connection Type:	PUR screened cable 5m long, via cable gland		
Wiring Connections:	Blue	+ve supply	Black -ve supply
	Green	+ve sense	Grey -ve sense
	White	+ve signal	Red -ve signal
	Options Available		
Can be supplied with instrumentation			
Spherical seating rod end bearings			
Compression load button			

Mechanical Dimensions

All dimensions in millimeters



Range	500kg	1000kg	2000kg	5000kg
A	32	32	32	45
B	19	19	19	26
H	90	90	90	120
W	70	70	70	10
G	18	18	18	18
Thread T	M12 x 1.75	M16 x 2	M16 x 2	M24 x 2