

T24-BSi & T24-BSu Wireless Telemetry Base Stations

Features

T24-BSi

- RS232 and RS485 Interface
- Housed in IP65 enclosure
- Baud rates 9600-460800 baud
- Dynamic Link Library Files available

T24-BSu

- USB Interface
- Self powering from USB port
- Variable baud rates
- Dynamic Link Library Files available

Typical Applications

- PC based centre of gravity systems
- Vessel weighing systems
- Crane weighing systems
- Used to configure and calibrate T24 range of wireless telemetry devices

Description

The T24 radio telemetry range is currently supported by two base stations; the T24-BSu and the T24-BSi, which in conjunction with the T24-tool kit can be used to configure all the devices within the range. Devices can listen for and transmit data packages to any device therefore making control and group measurement very simple.

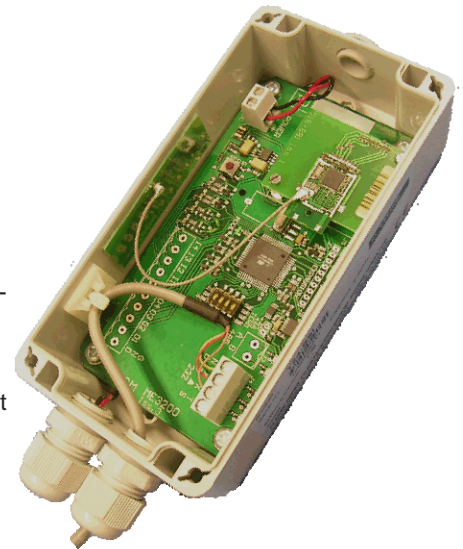
T24-BSi

The T24-BSi is the industrial base station, housed in an IP65 standard enclosure. This device offers far more interface options for the user than the T24-BSu. The T24-BSi can be powered and controlled using a single USB interface; however the T24-BSi also has serial RS232 and RS485 interfaces at baud rates of 9600-460800. When using either of the serial interfaces the device must be powered externally. The serial interface .dll (Dynamic Link Library) provides the ability for customised user software to be created with the use of VB (Visual Basic) over any interface the user wishes to select.

T24-BSu

The T24-BSu is a simple USB device. It draws power from the USB bus and therefore no further components are required to configure and control remote devices from a PC. The T24-BSu is supported by not only the T24-toolkit but also with a .dll (Dynamic Link Library) allowing customers using VB (Visual Basic) to develop their own custom software for their applications.

The telemetry toolkit software is supplied on CD, free of charge, when a base station of either type is ordered. The software enables the full configuration and calibration of any of the current T24 wireless telemetry range of products.



Specification – T24-BSi

Parameter	Min	Typ	Max	Units
External Supply voltage Range	4.5	12	32	Volts
USB Supply Range (As defined by USB 2.0 Specification)	4.875	5	5.125	Volts
Average Operational Current	-	-	500	mA
USB Bus Powered Operational Current	100	-	200	mA
Operating Temperature Range	-40	-	+65	°C
Storage Temperature Range	-40	-	+65	°C
Reverse polarity Protection	-	-	32	Volts
IP rating (T24-BSu serial only)	-	IP65	-	-
Humidity	0	-	95	%RH

Specification – T24-BSu

Parameter	Min	Typ	Max	Units
USB Supply Range (As defined by USB 2.0 Specification)	4.875	5	5.125	Volts
USB Bus Powered Operational Current	100	-	200	mA
Operating Temperature Range	-40	-	+65	°C
Storage Temperature Range	-40	-	+65	°C
IP rating (T24-BSu serial only)	-	IP54	-	-
Humidity	0	-	95	%RH

Wireless Telemetry Base Stations TYPE: T24-BSi & T24-BSu

Physical

T24-BSu

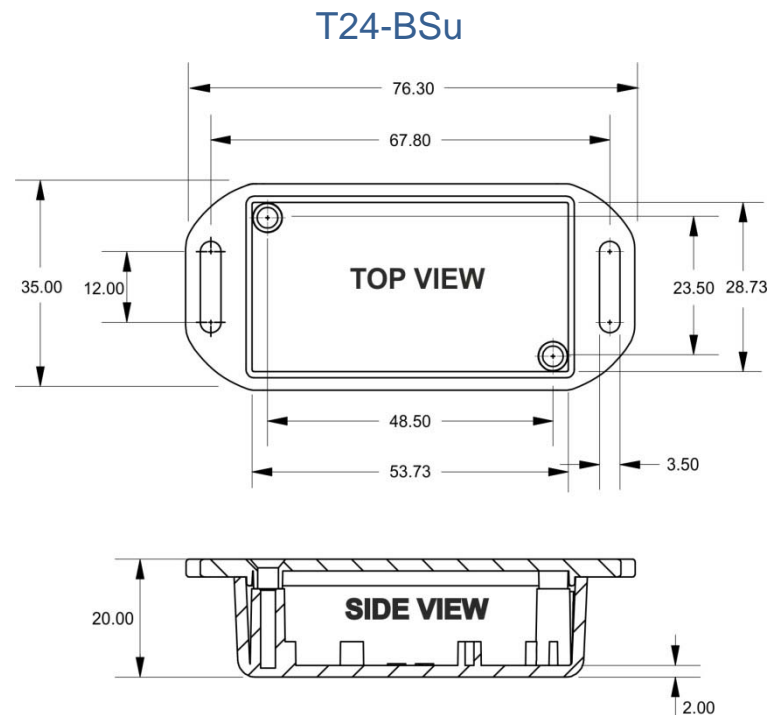
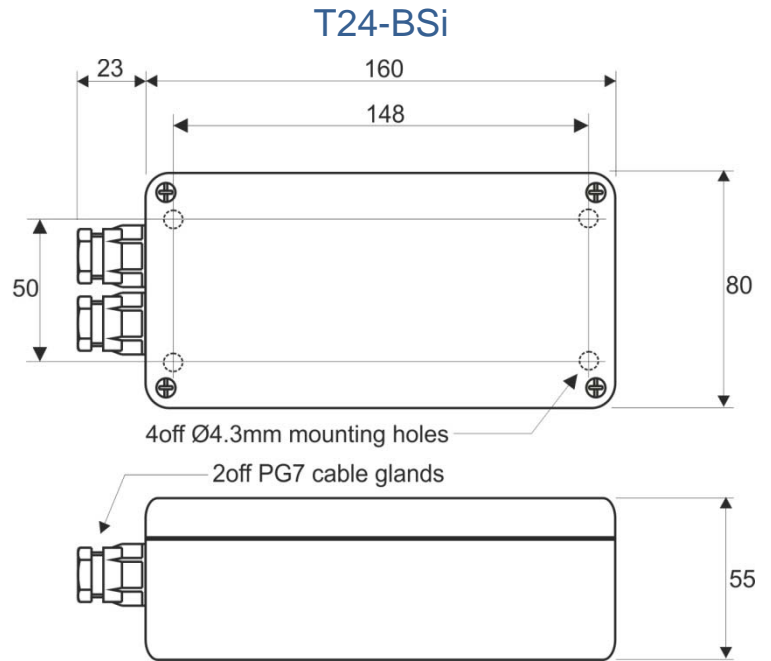
Case materials Black ABS IP54. Flanged lid for wall or shelf mounting or suspending with a tie wrap

T24-BSi

Case material Light grey ABS with IP65 cable glands

Mechanical Dimensions

All dimensions in millimeters



Unit 15,
Newport Business Park
Barry Way, Newport,
Isle of Wight,
PO30 5GY
United Kingdom
Tel: +44 (0) 1983 249264
Fax: +44 (0) 1983 249266
sales@lcmsystems.com

Due to continual product development, LCM Systems Ltd. reserves the right to alter product specifications without prior notice.

Issue date: 17/11/2011