

TYPE: TELSHACK-B-HL



TELSHACK-B-HL Wireless Bow Load Shackle

Description

The TELSHACK-B-HL range of telemetry load shackles are manufactured using the GN Rope H10 shackle. Suitable for use in a wide range of industrial and marine heavy lift weighing applications, these load shackles provide a robust and effective method of measuring large tensile loads. They are also particularly suited to offshore applications, as they include 3.1 material certification as standard and the proof load test and calibration can be witnessed by a 3rd party at LCM Systems.

The unique telemetry housing is manufactured from tough high performance polyamide resin making it strong yet light, resulting in a better balanced load shackle when compared to others available on the market. Two clips enable you to open the housing to access and change the two AAA lithium batteries, while the internal electronics underneath remain completely sealed. This includes the antenna to ensure maximum protection from damage. The built in radio telemetry electronics operates on the 2.4GHz license free frequency.

The TELSHACK-B-HL is also supplied as standard with a handheld battery powered display which can toggle between tonnes or lbs, or alternatively, for multi-shackle applications, a single display can address up to 12 shackles for individual monitoring, or for summation/balancing applications.

LCM Systems can also supply more complex telemetry systems. For further information on what we can offer, please contact our technical department with details of your application requirements.

Specification

Rated load (tonnes)	120, 150, 200, 250, 300, 400, 500, 600, 700, 800, 900, 1000
Proof load	150% of rated load
Ultimate breaking load	300% of rated load
Non-linearity	<±1% of rated load (typically)
Non-repeatability	<±0.1% of rated load
Transmission distance	Up to 600 metres (clear line of sight)
Battery life	>300 hours typically (continuous use with 1.2Ah batteries)
Battery	2 x AAA Alkaline (supplied with 1.2Ah batteries)
Operating temperature range	-20 to +55°C
Environmental protection level	IP67
Telemetry housing	Polyamide resin

Available Options

- Special ranges and capacities up to 2000te
- Centralising load bobbin
- Special telemetry systems available
- Lloyds, ABS, DNV or other third party witnessing

Features

- Ranges from 120 to 1000 tonnes
- High tensile carbon steel construction
- Environmentally sealed to IP67
- Simple installation and operation
- Shackle and load pin fully certified
- Optional load centralising bobbin
- Many other options available

Typical Applications

- Towing/mooring tension
- Winch load monitoring
- Water bag testing
- Bollard testing

LCM Systems Ltd

Unit 15, Newport Business Park
Barry Way, Newport
Isle of Wight PO30 5GY UK
Tel: +44 (0)1983 249264
Fax: +44 (0)1983 249266
sales@lcm systems.com
www.lcm systems.com

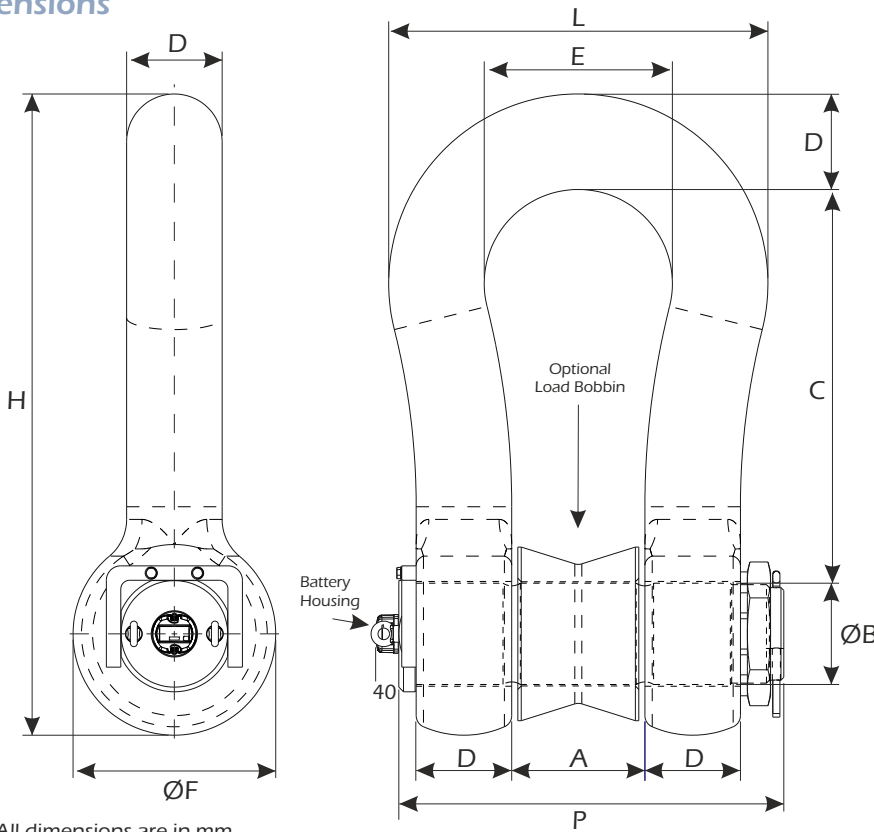
TELSHACK-B-HL Wireless Bow Load Shackle

Special Options

Special ranges	The TELSACK-B-HL can be supplied in any load rating, between 120te and 2000te and calibrated as required. Usually we will choose the nearest standard shackle size. We can also offer special design shackles up to 2000te. Please contact our design team for more details.
Centralising bobbin	We can offer an optional centralising bobbin. This helps improve the overall load cell accuracy in certain cable tension applications. The bobbin is shown pictorially in the drawing below.
Multi-shackle systems	It is possible with the standard handheld telemetry display to use up to 12 shackles with a single handheld. Each shackle is paired with the handheld and can be used to view individual load cells or summated load cells. These values can be sent to a printer or a PC.



Dimensions



Rating (tonnes)	A	ØB	C	D	E	ØF	H	L	P	Weight (kgs)	Resolution (tonnes)
120	150	95	380	89	238	200	617	416	420	110	0.1
150	170	108	400	102	275	230	671	479	475	160	0.1
200	180	125	500	120	290	260	813	530	520	235	0.2
250	205	140	540	125	305	260	865	555	560	285	0.2
300	205	150	600	130	305	305	958	565	570	340	0.5
400	230	175	680	165	325	350	1108	655	655	560	0.5
500	255	185	700	180	350	370	1158	710	720	685	0.5
600	285	205	700	195	375	405	1200	765	815	880	0.5
700	310	217	700	205	400	435	1231	810	860	980	1
800	310	217	700	210	400	435	1236	820	870	1100	1
900	330	230	700	220	420	465	1268	860	910	1280	1
1000	350	240	750	230	420	480	1290	880	950	1460	1

www.lcm systems.com

Due to continual product development, LCM Systems Ltd reserves the right to alter product specifications without prior notice.

Issue No. 1

Issue date: 09/02/2017

APPROVED

(unapproved if printed)