



# TELSHACK-B-JR Wireless Crosby™ Bow Load Shackle

## Description

The TELSHACK-B-JR range of telemetry load shackles are manufactured using the Crosby™ G2130 shackle. Suitable for use in a wide range of lower capacity industrial weighing applications, these load shackles are accurate, reliable and simple to install. They are particularly popular in theatrical applications for measuring the loads on rigging, hoists and stage lifts.

The IP67 rated telemetry housing is manufactured from ABS plastic making it strong yet light, and the telemetry electronics contained within are powered by two AA alkaline batteries. The unit also features an internal antenna for maximum protection from damage.

The TELSHACK-B-JR is also supplied as standard with a handheld battery powered display which can toggle between tonnes or lbs, or alternatively, for multi-shackle applications, a single display can address up to 12 shackles for individual monitoring, or for summation/balancing applications.

LCM Systems can also supply more complex telemetry systems. For further information on what we can offer, please contact our technical department with details of your application requirements.

## Specification

Rated load (tonnes)	3.25, 4.75, 6.5, 9.5
Proof load	150% of rated load
Ultimate breaking load	500% of rated load
Non-linearity	<± 1% of rated load (typically)
Non-repeatability	<±0.1% of rated load
Transmission distance	Up to 600 metres (clear line of sight)
Battery life	>650 hours typically (continuous use with 2.3Ah batteries)
Battery	2 x AA Alkaline
Operating temperature range	-20 to +55°C
Environmental protection level	IP67
Telemetry housing	ABS plastic
Approvals	European Machinery Directive 2006/42/EC

## Available Options

- Special ranges and capacities
- Integral signal conditioning
- Special telemetry systems available
- Longer battery life with different transmission rate settings (1 update per second extends battery life to 2000 hours)
- Multiple load cell systems
- Tablet PC option with data logging and other customised features

## Features

- Ranges from 3.25 to 9.5 tonnes
- Stainless steel load pin
- Environmentally sealed to IP67
- Simple installation and operation
- Shackle and load pin fully certified
- Supplied with load centralising bobbin
- Many other options available
- Machinery Directive 2006/42/EC compliant

## Typical Applications

- Rigging/Hoist monitoring
- Vessel weighing
- Cable tension monitoring
- Lift/stage weighing/monitoring
- Vehicle testing

### LCM Systems Ltd

Unit 15, Newport Business Park  
Barry Way, Newport  
Isle of Wight PO30 5GY UK  
Tel: +44 (0)1983 249264  
Fax: +44 (0)1983 249266  
sales@lcm systems.com  
www.lcm systems.com



# TELSHACK-B-JR Wireless Crosby™ Bow Load Shackle

## Special Options

### Special ranges

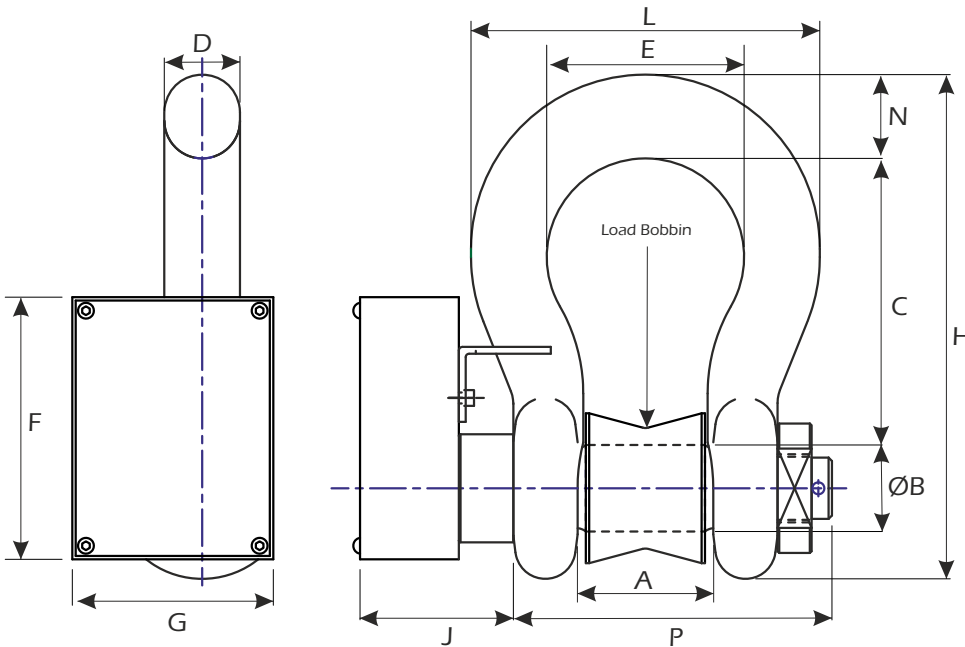
The TELSACK-B-JR can be supplied in any range, between 3.25te and 9.5te and calibrated as required. Usually we will choose the nearest standard shackle size.

### Multi-shackle systems

It is possible with the standard handheld telemetry display to use up to 12 shackles with a single handheld. Each shackle is paired with the handheld and can be used to view individual load cells or summated load cells. These values can be sent to a printer or a PC.



## Dimensions



All dimensions are in mm

Rating (tonnes)	A	ØB	C	D	E	F	G	H	J	L	N	P	Weight (kgs)	Resolution (tonnes)
3.25	27	19.1	60.5	16	42.9	77	59	106	41	74.6	17.5	73	0.62	0.01
4.75	31.8	22.4	71.5	19.1	51	77	59	126	41	89	20.6	83	1.23	0.01
6.5	36.6	25.4	84	22.4	58	77	59	148	45	102	24.6	94	1.79	0.01
9.5	46	31.8	108	28.9	74	59	77	190	54	131	31.8	119	3.75	0.01

www.lcm systems.com



Due to continual product development, LCM Systems Ltd reserves the right to alter product specifications without prior notice.

Issue No. 1

Issue date: 09/02/2017

APPROVED

(unapproved if printed)