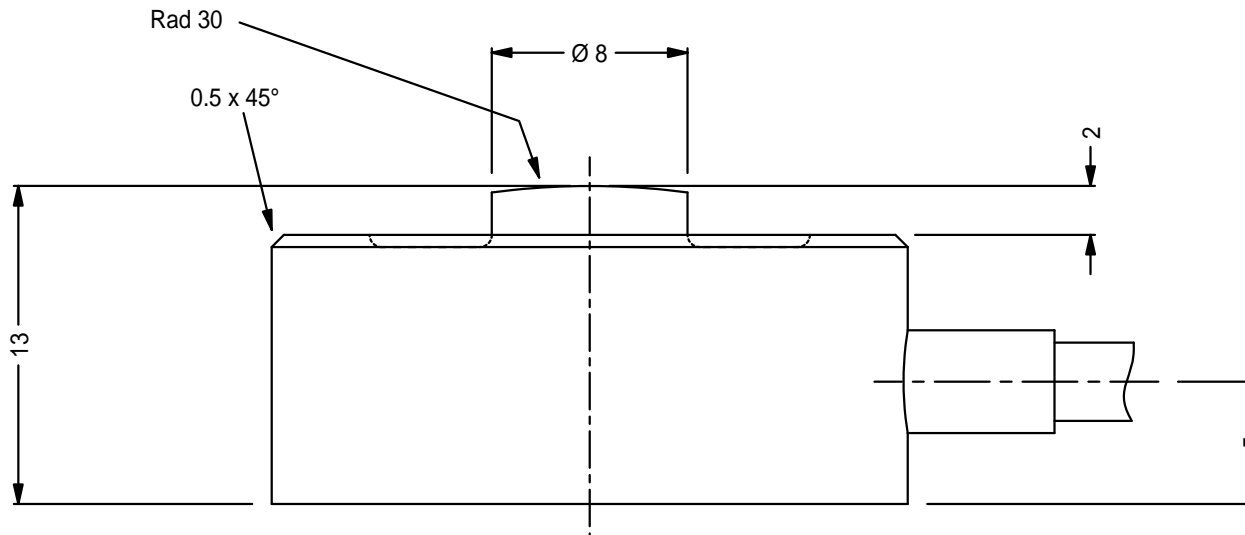


Load Rating: 2 KN
 Proof Load: 3 KN
 Safety Factor: 3:1
 Cable: 4 Core PVC (3 Metres)
 Output: 1 mV/V (Attenuated)



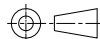
THE INFORMATION CONTAINED IN THIS DRAWING IS THE PROPERTY OF LCM SYSTEMS. IT MAY NOT BE REPRODUCED IN ANY FORM, NOR THE CONTENT DISCLOSED TO ANY THIRD PARTY WITHOUT THE WRITTEN CONSENT OF THE COMPANY



LCM Systems Ltd
 Unit 15 Newport Business Park
 Barry Way
 Newport
 Isle of Wight PO30 5GY
 Tel: 01983 249264
 Fax: 01983 249266

DO NOT SCALE
 IF IN DOUBT ASK
 DIMENSIONS IN MILLIMETRES

PROJECTION



TITLE: Diaphragm Load Cell (2 KN)

TOLERANCES - UNLESS STATED

MACHINING
 UP TO 10mm +/- 0.1
 FROM 10mm TO 100mm +/- 0.25
 OVER 100mm +/- 0.5
 ANGULAR DIMS +/- 1°

FABRICATIONS/CASTINGS
 UP TO 600mm +/- 1.0
 OVER 600mm +/- 2.0

REMOVE SHARP EDGES

ISSUE: A

DATE: 22/09/05

MATERIAL: Stainless Steel

FINISH:

SCALE: Do Not Scale

DRG NO:

LCM 2810