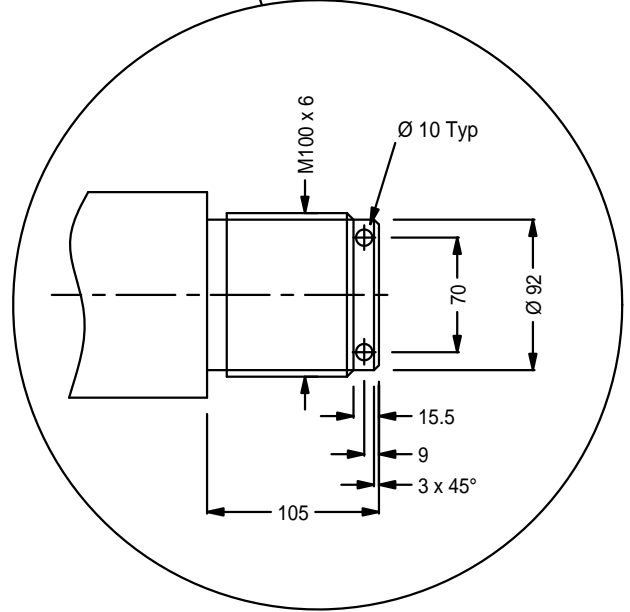
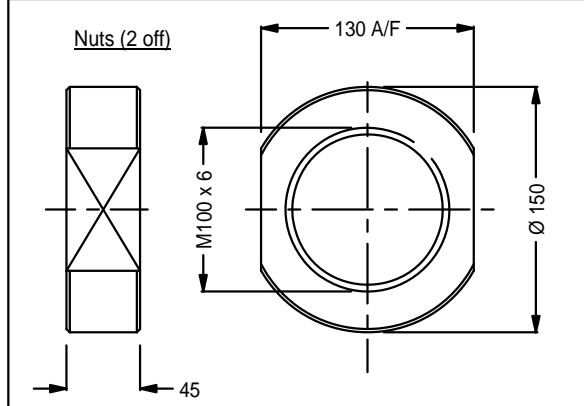
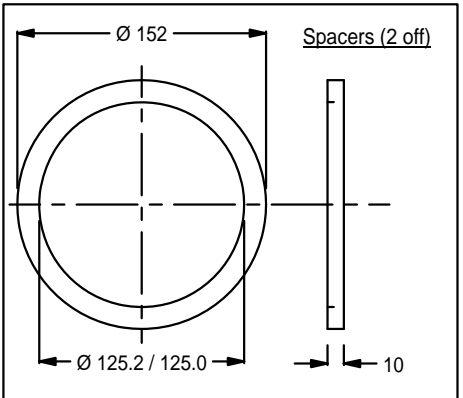


Load Rating: 250 Tonne (calibrate 0 to 200)  
 Proof Load: 305 Tonnes  
 Break Load: 1035 Tonnes  
 Expected Output: 2.7 mV/V at 200 Tonnes  
 Cable: 4 Core (5 Metres)  
 Hose: Heavy Duty 3/4" (3 Metres)



THE INFORMATION CONTAINED IN THIS DRAWING IS THE PROPERTY OF LCM SYSTEMS. IT MAY NOT BE REPRODUCED IN ANY FORM, NOR THE CONTENT DISCLOSED TO ANY THIRD PARTY WITHOUT THE WRITTEN CONSENT OF THE COMPANY		<b>TITLE:</b> Load Pin		<b>ISSUE:</b> B	<b>DATE:</b> 15/11/05	
	LCM Systems Ltd Unit 15 Newport Business Park Barry Way Newport Isle of Wight PO30 5GY Tel: 01983 249264 Fax: 01983 249266	<b>DO NOT SCALE IF IN DOUBT ASK</b> DIMENSIONS IN MILLIMETRES		<b>TOLERANCES - UNLESS STATED</b>		
	PROJECTION		MACHINING UP TO 10mm +/- 0.1 FROM 10mm TO 100mm +/- 0.25 OVER 100mm +/- 0.5 ANGULAR DIMS +/- 1°	FABRICATIONS/CASTINGS UP TO 600mm +/- 1.0 OVER 600mm +/- 2.0 REMOVE SHARP EDGES	<b>MATERIAL:</b> 17-4PH H1150 +1150	
					<b>FINISH:</b>	<b>SCALE:</b> Do Not Scale
					<b>DRG NO:</b> LCM 2843	