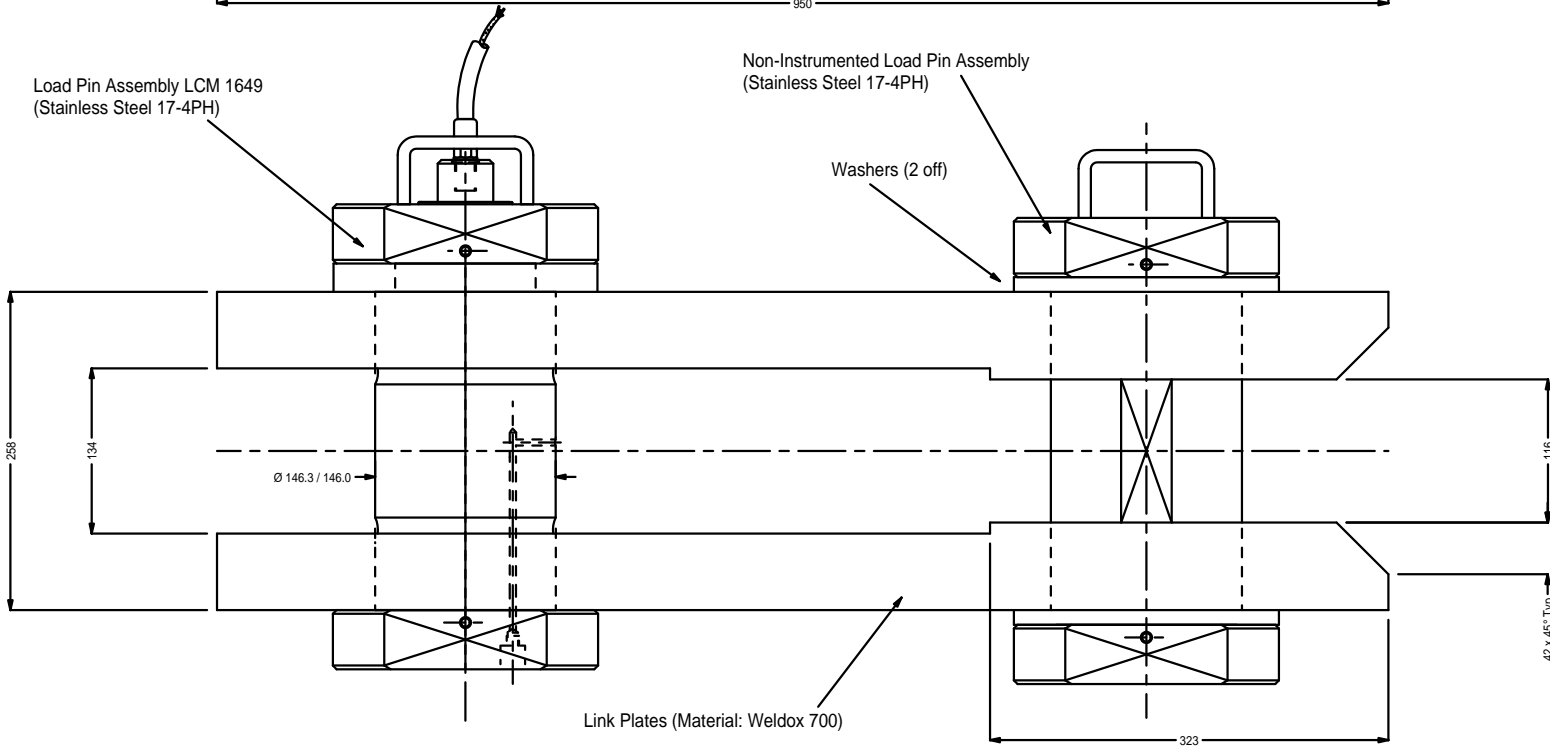


Load Pin Assembly LCM 1649 (Stainless Steel 17-4PH)

Non-Instrumented Load Pin Assembly (Stainless Steel 17-4PH)

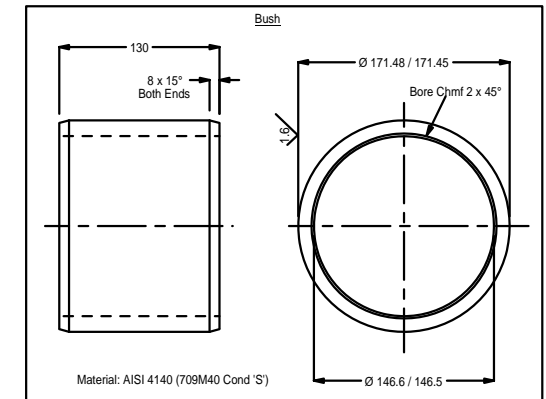
Washers (2 off)



Drawing Approved

Signature.....

Date.....



THE INFORMATION CONTAINED IN THIS DRAWING IS THE PROPERTY OF LCM SYSTEMS. IT MAY NOT BE REPRODUCED IN ANY FORM, NOR THE CONTENT DISCLOSED TO ANY THIRD PARTY WITHOUT THE WRITTEN CONSENT OF THE COMPANY



LCM Systems Ltd  
Unit 15 Newport Business Park  
Barry Way  
Newport  
Isle of Wight PO30 5GY  
Tel: 01983 249264  
Fax: 01983 249266

DO NOT SCALE  
IF IN DOUBT ASK  
DIMENSIONS IN MILLIMETRES

PROJECTION



TITLE: Link Assembly - Buoy Monitoring

TOLERANCES - UNLESS STATED

MACHINING  
UP TO 10mm +/- 0.1  
FROM 10mm TO 100mm +/- 0.25  
OVER 100mm +/- 0.5  
ANGULAR DIMS +/- 1°

FABRICATIONS/CASTINGS  
UP TO 600mm +/- 1.0  
OVER 600mm +/- 2.0  
REMOVE SHARP EDGES

ISSUE: B DATE: 06/07/06

MATERIAL: See Notes

FINISH:  
SCALE: Do Not Scale

DRG NO: LCM 2924