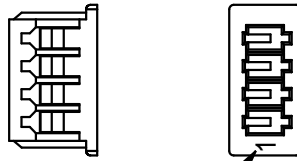


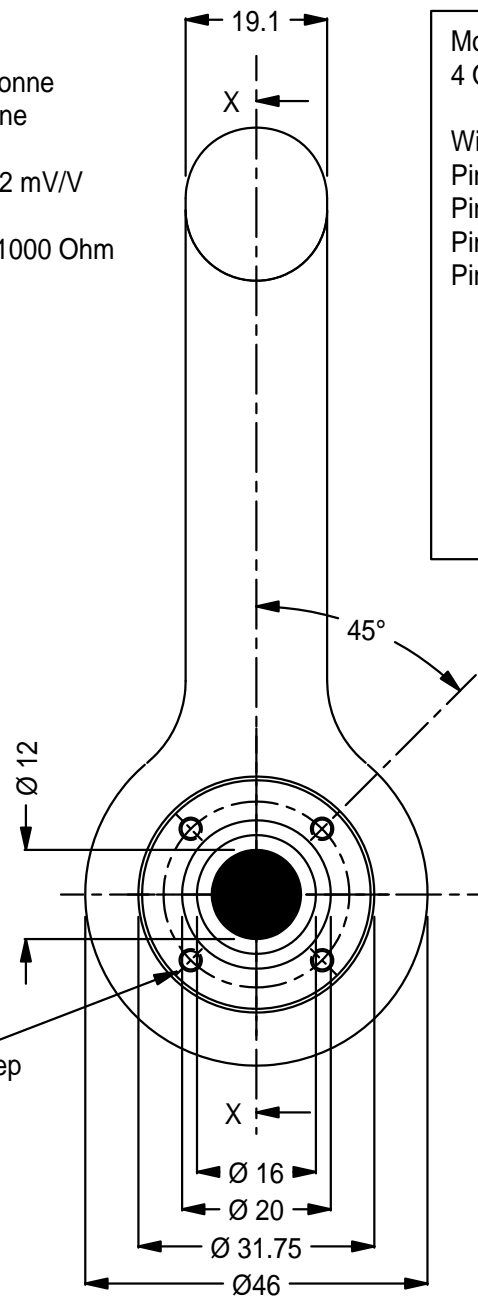
Load Rating: 4.75 Tonne  
 Proof Load: 7.1 Tonne  
 Safety Factor: 5:1  
 Expected Output: 2.2 mV/V  
 Bridge Resistance: 1000 Ohm

Molex 51021-0400 4 Way Connector +  
 4 Off 50079-8000 Crimp Contacts

Wiring Details:  
 Pin 1 Red (+Supply)  
 Pin 2 Green (+Signal)  
 Pin 3 Yellow (-Signal)  
 Pin 4 Blue (-Supply)

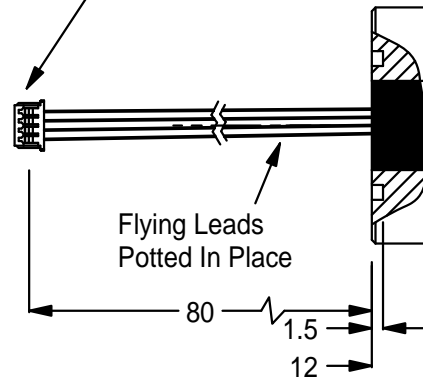


Pin 1 Ident

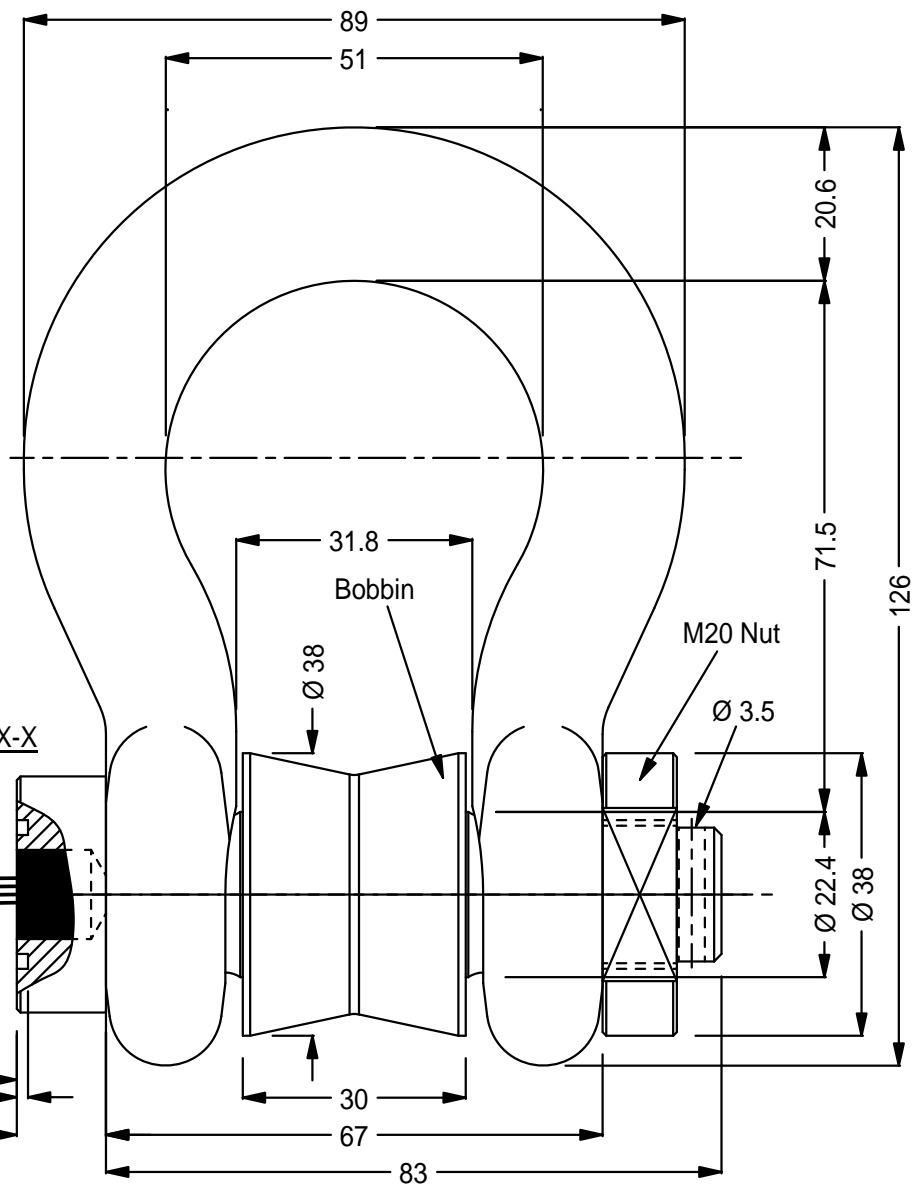


4 Off M3 x 8 Deep  
 Equispaced on  
 Ø25 PCD

Partial Section X-X

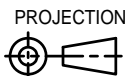


Flying Leads  
 Potted In Place



Material: Crosby G2130 4.75 Te Shackle + 17-4PH Stainless Steel Pin, Nut & Bobbin  
 (Pin In Cond A for Heat Treatment)

DO NOT SCALE  
 IF IN DOUBT ASK



DIMENSIONS IN  
 MILLIMETERS

TOLERANCES UNLESS STATED

GENERAL SURFACE	$\frac{3.2}{\sqrt{A}}$		
UP TO 10mm	+/-0.1	FABRICATIONS/CASTINGS	
FROM 10mm to 100mm	+/-0.25	UP TO 600mm	+/-1.0
OVER 100mm	+/-0.5	OVER 600mm	+/-2.0
ANGULAR DIMS	+/-1°	REMOVE SHARP EDGES	

TITLE: **LOAD SHACKLE**

ISSUE: D      DRAWN BY: AB      DATE: 25/02/10

MATERIAL: See Notes      FINISH: Heat Treat Pin H900

CHANGE: Cond A And Heat Treatment Added To Pin



LCM Systems Ltd  
 Unit 15 Newport Business Park  
 Barry Way  
 Newport  
 Isle of Wight  
 PO30 5GY  
 Tel: 01983 249264 Fax: 01983 249266

DRG NO: **LCM 3507**