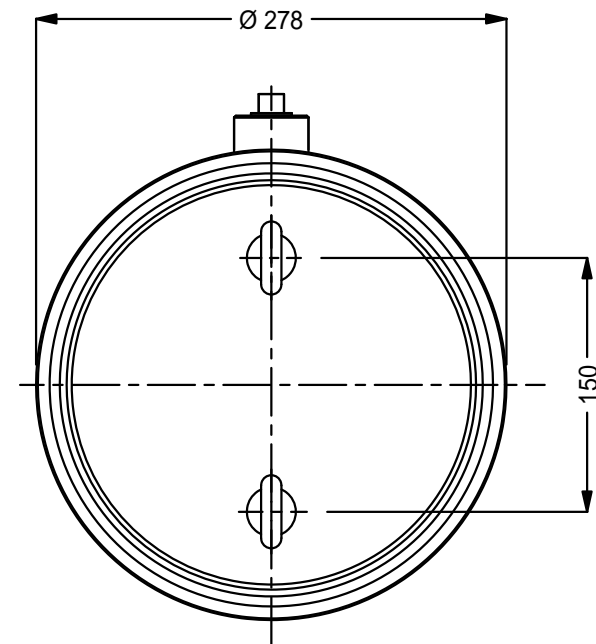
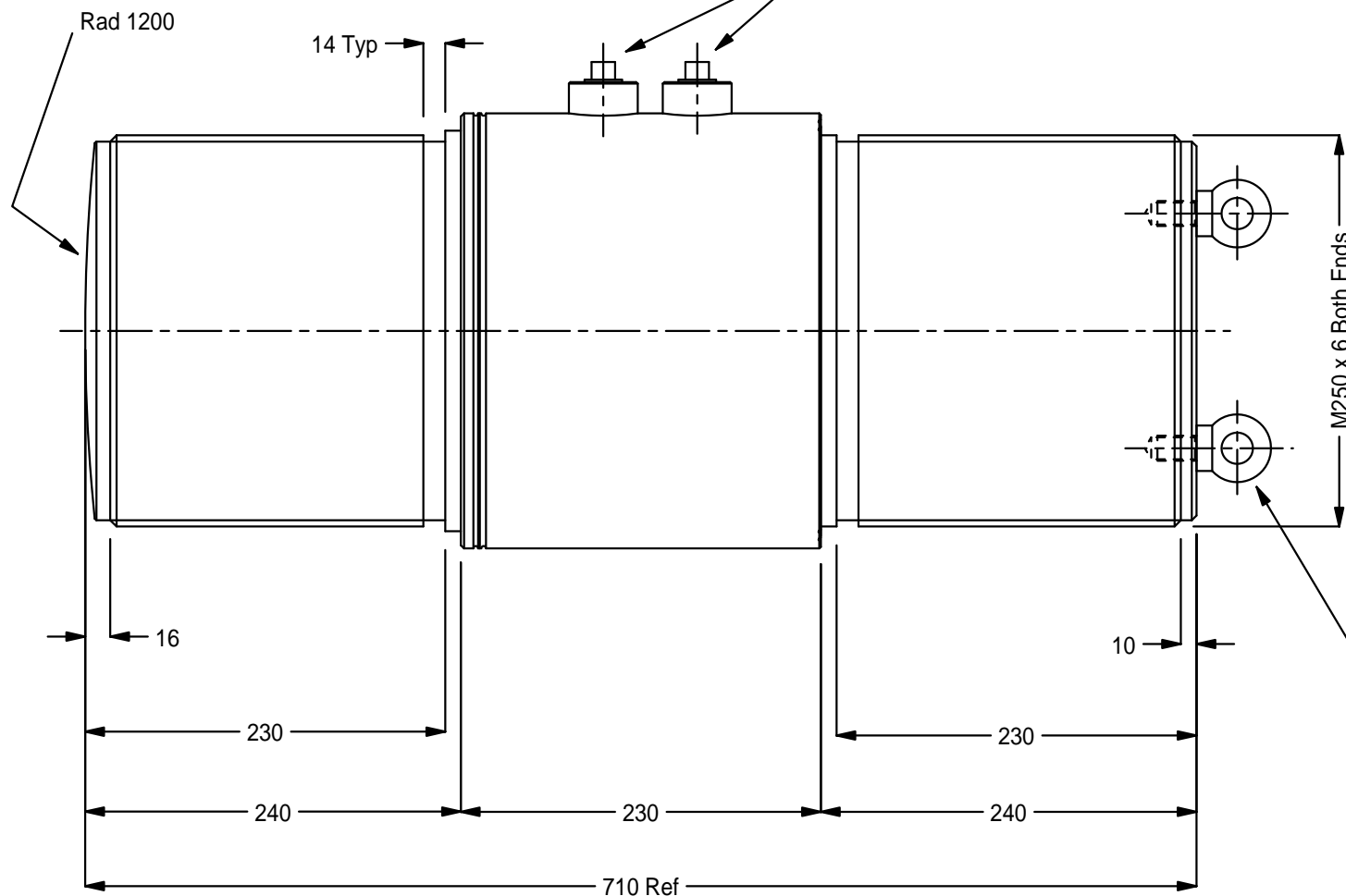


Connector Wiring:
 Pin A Red +Supply
 Pin B Blue -Supply
 Pin C Green +Signal
 Pin D Yellow -Signal
 Pin E White +Sense
 Pin F Black -Sense

2 Off Mil-C-26482 6 Way Connectors
 + Mating 12M Cable Assemblies

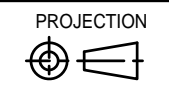


M16 Lifting Eye (2 Off)

Load Rating: 1500 Tonne
 Proof Load: 2250 Tonne
 Ultimate Load: 4500 Tonne
 Expected Output: 2 mV/V

Two Independent Bridges
 Bridge Resistance: 1400 Ohms

DO NOT SCALE
 IF IN DOUBT ASK



DIMENSIONS IN
 MILLIMETERS

TOLERANCES UNLESS STATED			
GENERAL SURFACE	3.2		
UP TO 10mm	+/-0.1	FABRICATIONS/CASTINGS	
FROM 10mm to 100mm	+/-0.25	UP TO 600mm	+/-1.0
OVER 100mm	+/-0.5	OVER 600mm	+/-2.0
ANGULAR DIMS	+/-1°	REMOVE SHARP EDGES	

TITLE: Tension / Compression Load Cell		
ISSUE: A	DRAWN BY: AB	DATE: 30/09/08
MATERIAL: 17-4PH		FINISH: N/A
CHANGE: INITIAL ISSUE		



LCM Systems Ltd
 Unit 15 Newport Business Park
 Barry Way
 Newport
 Isle of Wight
 PO30 5GY
 Tel: 01983 249264 Fax: 01983 249266

DRG NO: LCM 3523