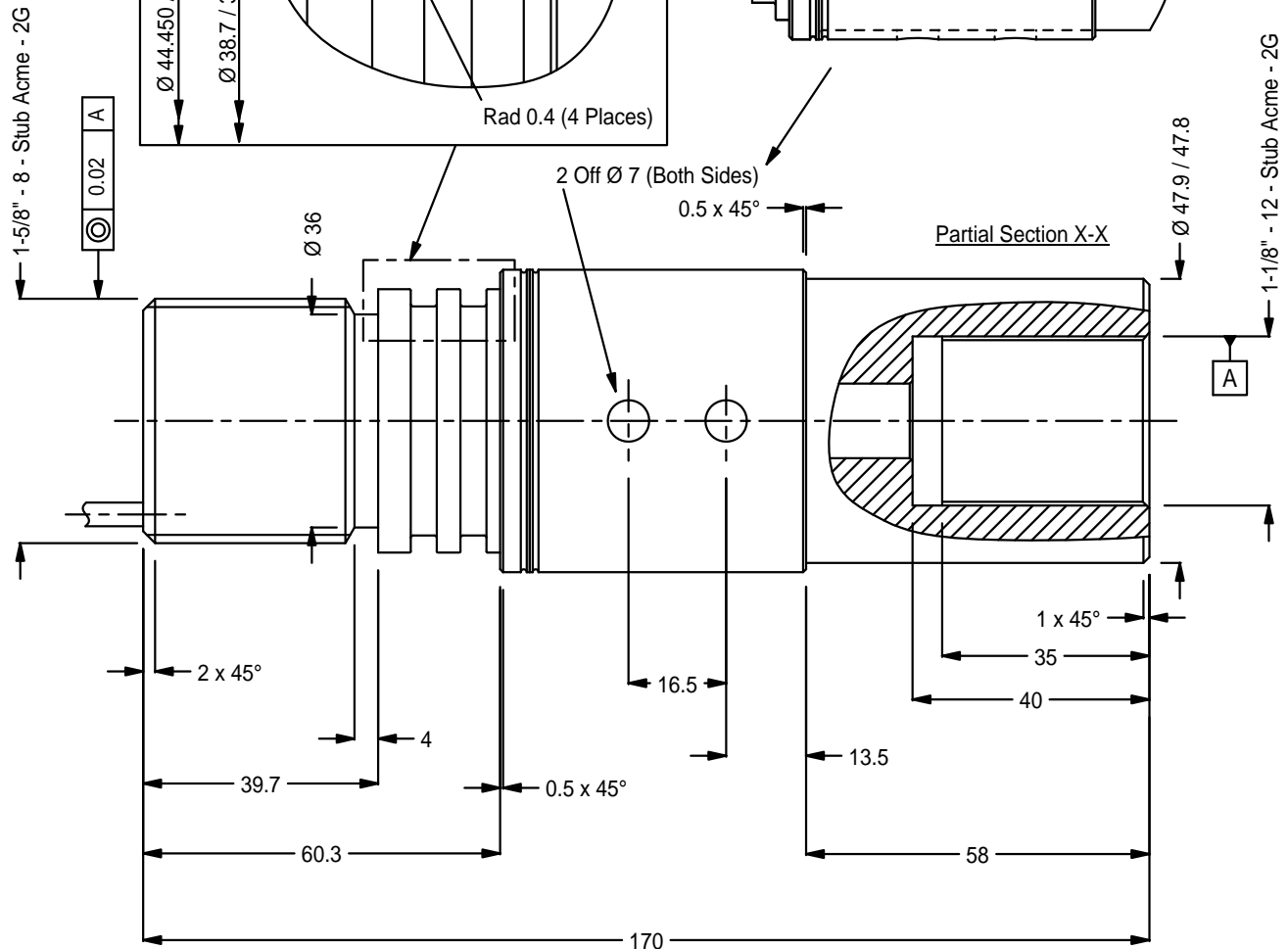


Load Rating: 12000 lbf
 Proof Load: 18000 lbf
 Safety Factor: 5:1
 Expected Output: 1.2 mV/V ±15%
 Cable: 6 Core PTFE (2 metres)
 Internal Wiring: PTFE
 Working Temperature: -20 to +175°C
 Bridge Resistance: 700 Ohm (8 x 350 Ohm Gauges)
 Zero Balance: <±100 µV (10 V Excitation)
 Repeatability: 0.02 %
 Linearity: 0.05 %
 Hysteresis: 0.03%
 Thermal zero zhift: <±0.00012mV/V/°C (±0.01%FSO/°C)
 Insulation: > 500 Mohm @ 500V DC (@+20°C)



DO NOT SCALE IF IN DOUBT ASK
 PROJECTION

 DIMENSIONS IN MILLIMETERS

TOLERANCES UNLESS STATED			
GENERAL SURFACE	3.2		
UP TO 10mm	+/-0.1	FABRICATIONS/CASTINGS	
FROM 10mm to 100mm	+/-0.25	UP TO 600mm	+/-1.0
OVER 100mm	+/-0.5	OVER 600mm	+/-2.0
ANGULAR DIMS	+/-1°	REMOVE SHARP EDGES	

TITLE: Tension / Compression Load Cell		
ISSUE: D	DRAWN BY: AB	DATE: 08/03/2010
MATERIAL: 17-4PH Cond A		FINISH: Heat Treat H900
CHANGE: Specification change		

LCM Systems Ltd
 Unit 15 Newport Business Park
 Barry Way
 Newport
 Isle of Wight
 PO30 5GY
 Tel: 01983 249264 Fax: 01983 249266

DRG NO: LCM 3527

THE INFORMATION CONTAINED IN THIS DRAWING IS THE PROPERTY OF LCM SYSTEMS. IT MAY NOT BE REPRODUCED IN ANY FORM, NOR THE CONTENT DISCLOSED TO ANY THIRD PARTY WITHOUT THE WRITTEN CONSENT OF THE COMPANY