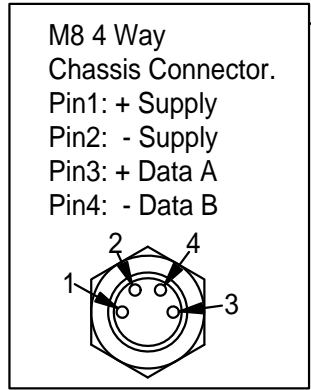
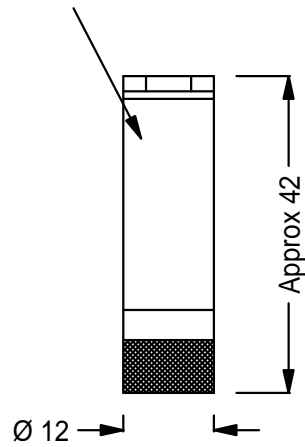
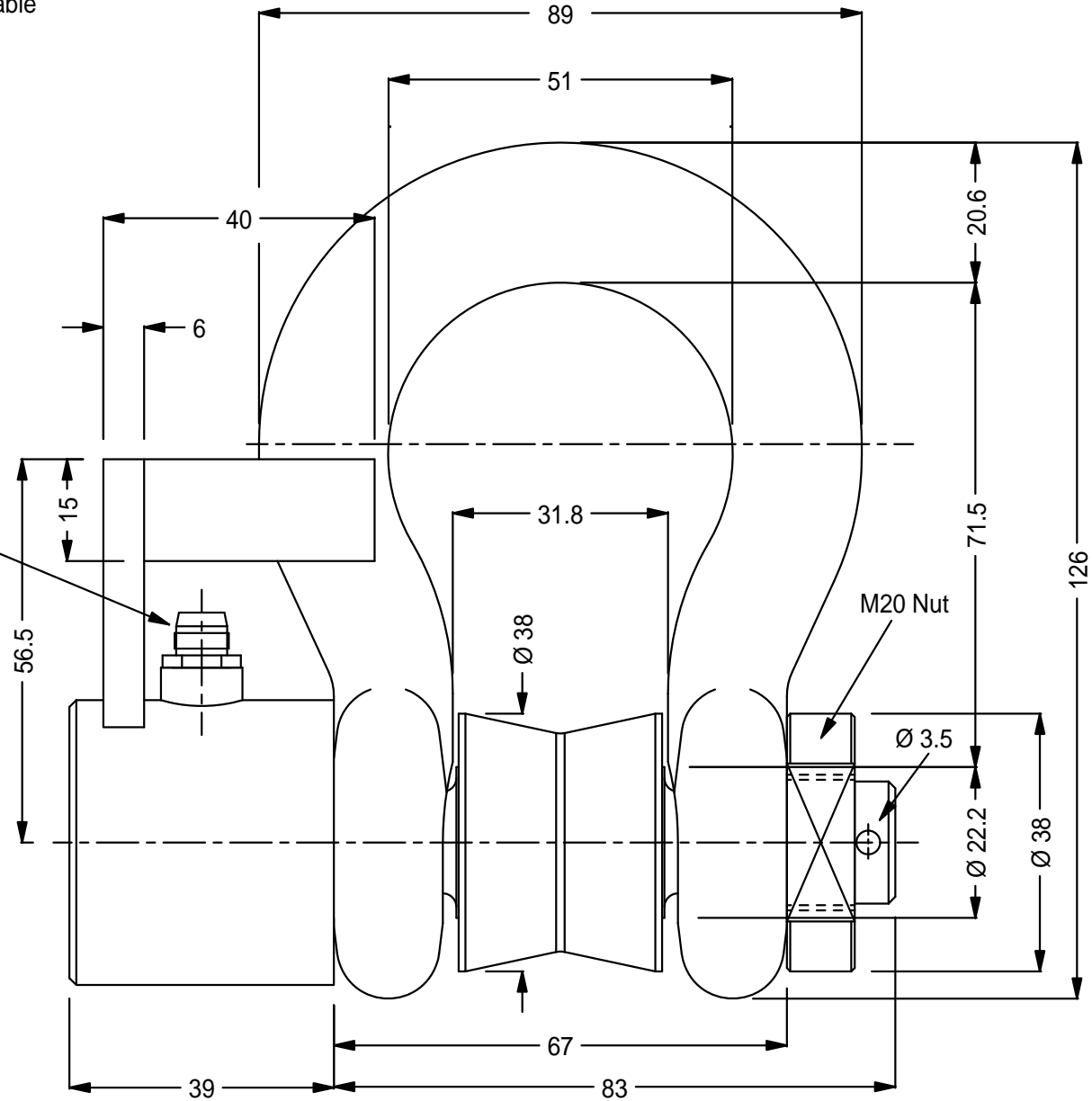
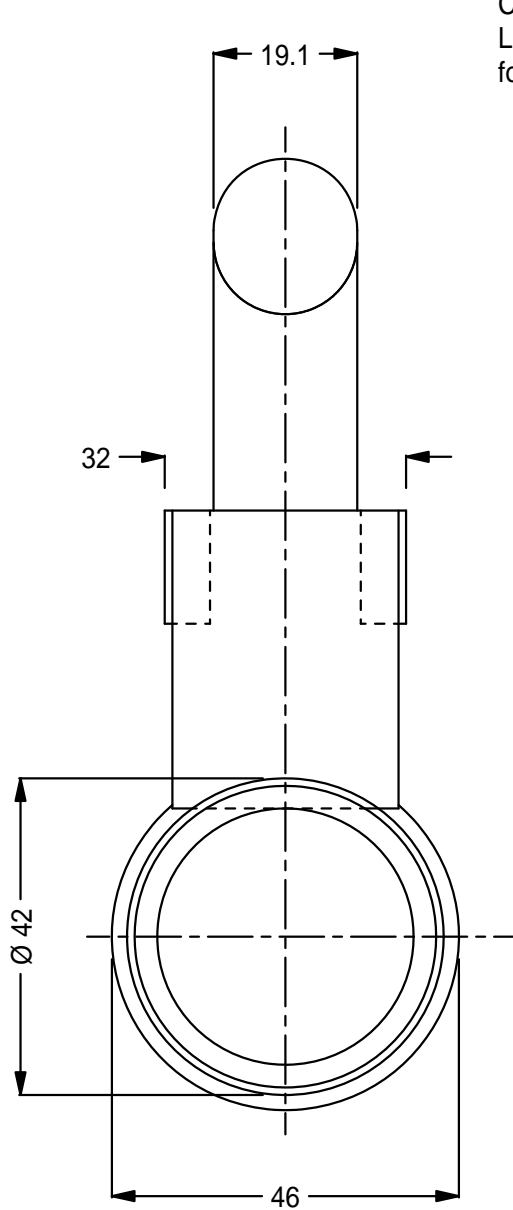


Cable Connector M8 Field Wireable
Lumberg RKMCK 4
for Ø3.5 to 5.0 Cable



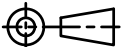
Load Rating: 2 Tonne
Proof Load: 4 Tonne
Break Load: > 10 Tonne
Output: RS485 ASCII



Material: Crosby G2130 4.75 Te Shackle + 17-4PH Stainless Steel Pin, Nut & Bobbin

DO NOT SCALE
IF IN DOUBT ASK

PROJECTION



DIMENSIONS IN
MILLIMETERS

TOLERANCES UNLESS STATED

GENERAL SURFACE	3.2	FABRICATIONS/CASTINGS
UP TO 10mm	+/-0.1	UP TO 600mm +/-1.0
FROM 10mm to 100mm	+/-0.25	OVER 600mm +/-2.0
OVER 100mm	+/-0.5	REMOVE SHARP EDGES
ANGULAR DIMS	+/-1°	

TITLE: **Load Shackle**

ISSUE: A

DRAWN BY: AB

DATE: 27/10/09

MATERIAL: See Notes

FINISH: N/A

CHANGE: INITIAL ISSUE



LCM Systems Ltd
Unit 15 Newport Business Park
Barry Way
Newport
Isle of Wight
PO30 5GY
Tel: 01983 249264 Fax: 01983 249266

DRG NO: **LCM 3742**