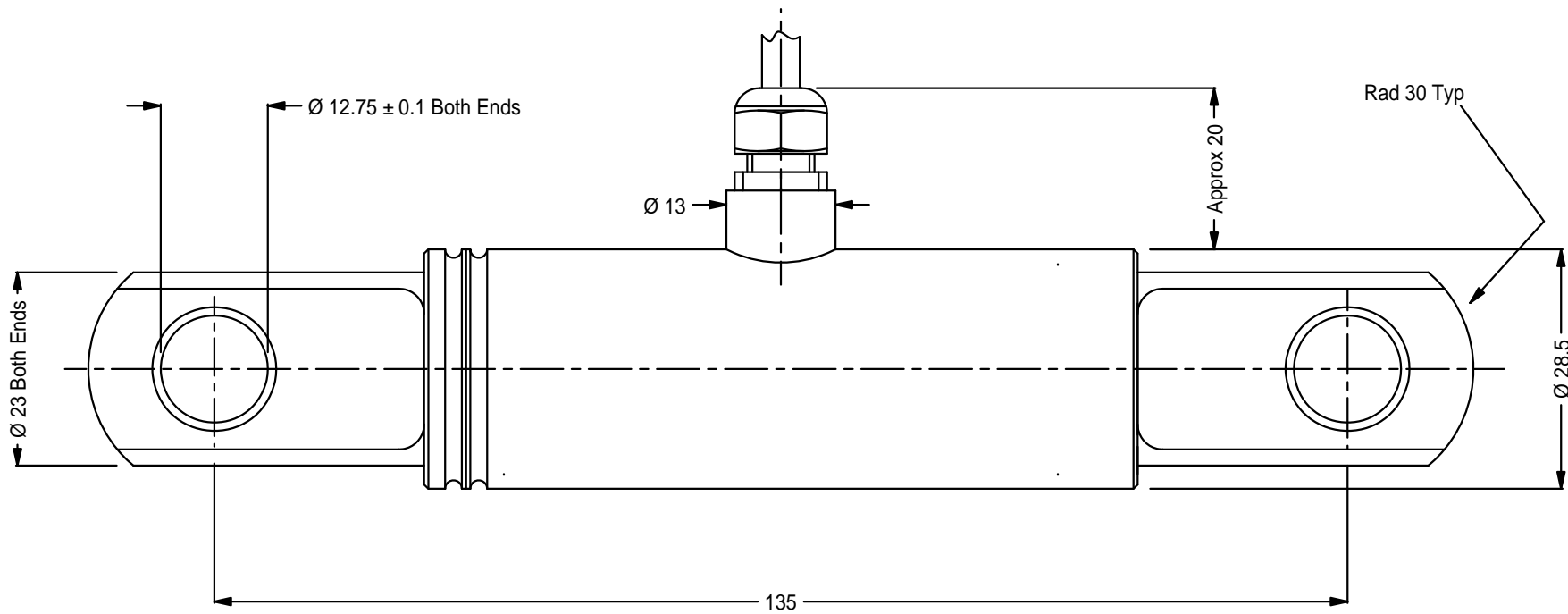
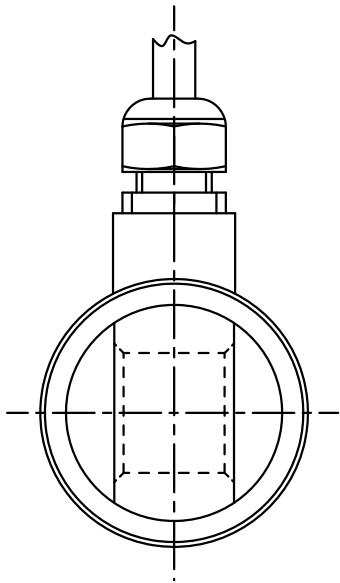
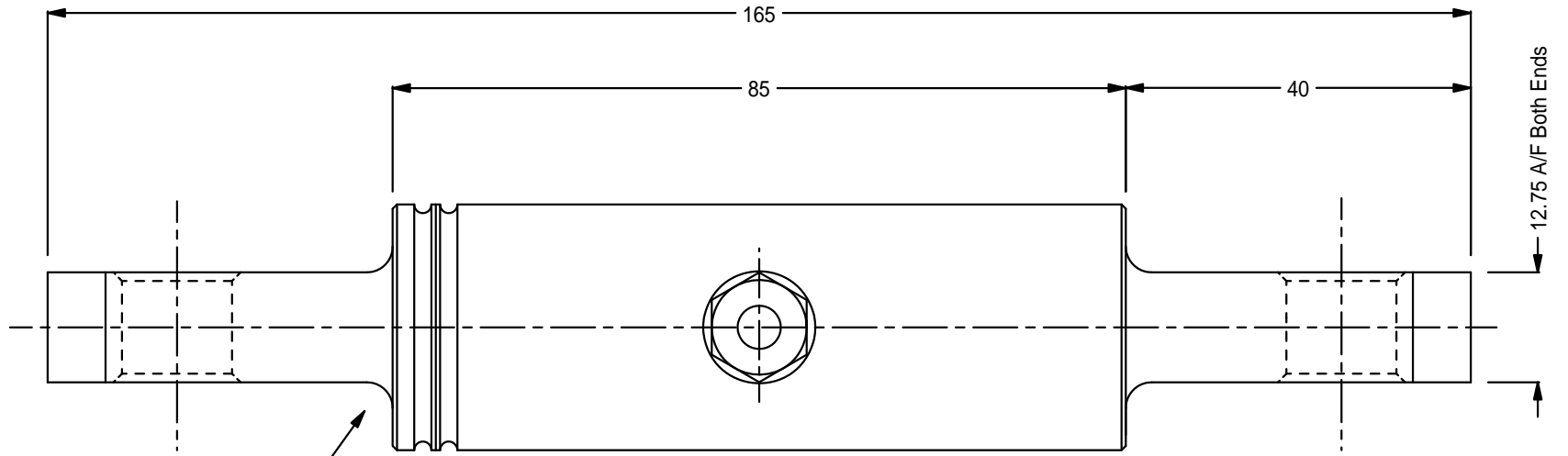


Load Rating: 1000 Kg
 Proof Load: 1500 Kg
 Ultimate Load: 3500 Kg
 Expected Output: 0.5 mV/V @ 1000 Kg
 Cable: 4 Core PUR (2 Metres)



DO NOT SCALE
 IF IN DOUBT ASK



DIMENSIONS IN
 MILLIMETERS

TOLERANCES UNLESS STATED			
GENERAL SURFACE	3.2		
UP TO 10mm	+/-0.1	FABRICATIONS/CASTINGS	
FROM 10mm to 100mm	+/-0.25	UP TO 600mm	+/-1.0
OVER 100mm	+/-0.5	OVER 600mm	+/-2.0
ANGULAR DIMS	+/-1°	REMOVE SHARP EDGES	

TITLE: **Tension Load Cell**

ISSUE: B DRAWN BY: AB DATE: 14/01/10

MATERIAL: 17-4PH FINISH: N/A

CHANGE: Re-designed



LCM Systems Ltd
 Unit 15 Newport Business Park
 Barry Way
 Newport
 Isle of Wight
 PO30 5GY
 Tel: 01983 249264 Fax: 01983 249266

DRG NO: **LCM 3763**