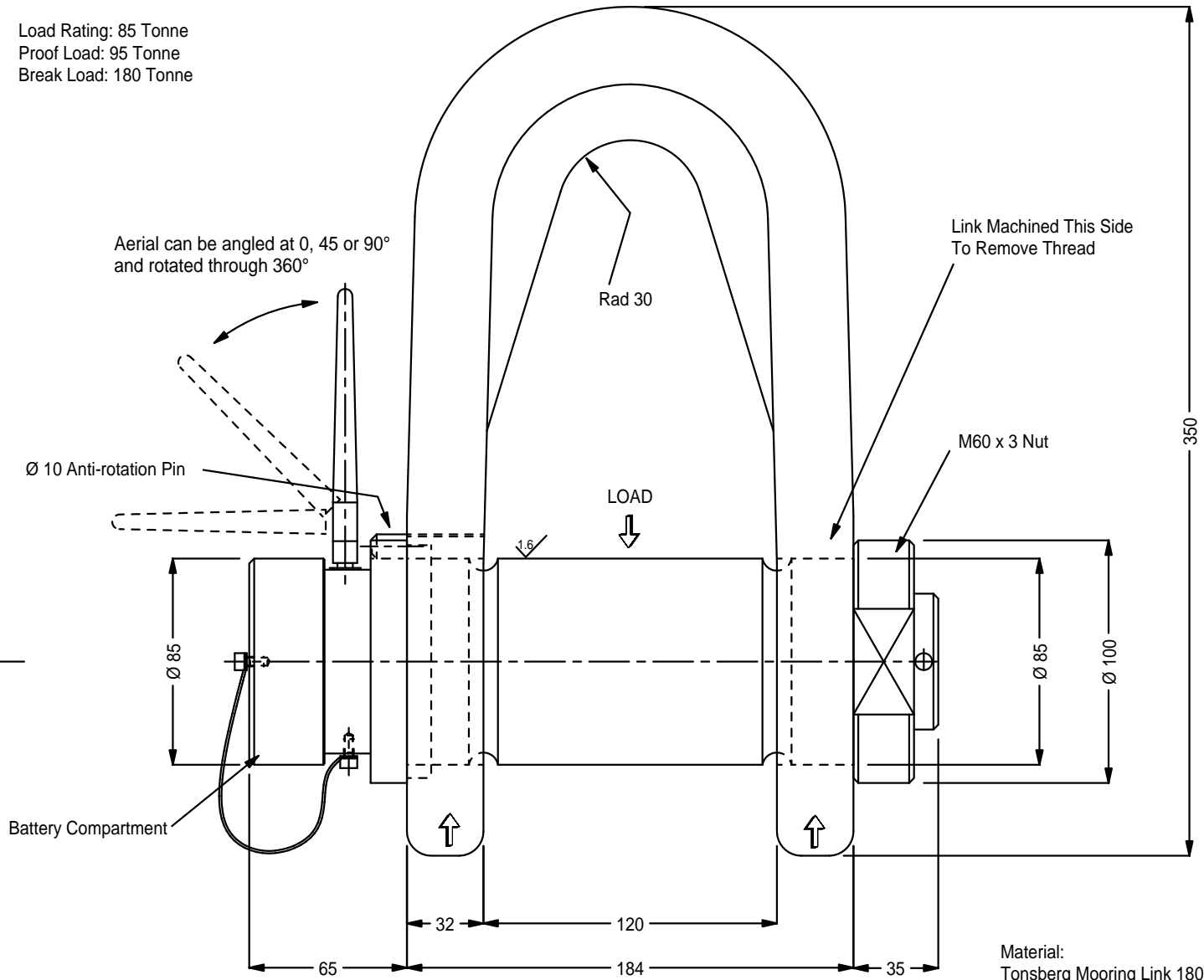


Load Rating: 85 Tonne
 Proof Load: 95 Tonne
 Break Load: 180 Tonne

Aerial can be angled at 0, 45 or 90°
 and rotated through 360°



Tolerance On Link Dimensions ± 5%

Material:
 Tonsberg Mooring Link 180T
 17-4PH H1150 +1150 Pin & Nut

DO NOT SCALE IF IN DOUBT ASK
PROJECTION
DIMENSIONS IN MILLIMETERS

TOLERANCES UNLESS STATED	
GENERAL SURFACE $\frac{3.2}{\sqrt{R}}$	
UP TO 10mm	+/-0.1
FROM 10mm to 100mm	+/-0.25
OVER 100mm	+/-0.5
ANGULAR DIMS	+/-1°
FABRICATIONS/CASTINGS	
UP TO 600mm	+/-1.0
OVER 600mm	+/-2.0
REMOVE SHARP EDGES	

TITLE: Mooring Link Load Cell - Telemetry		
ISSUE: A	DRAWN BY: AB	DATE: 17/02/10
MATERIAL: See Notes	FINISH: N/A	
CHANGE: INITIAL ISSUE		

	LCM Systems Ltd Unit 15 Newport Business Park Barry Way Newport Isle of Wight PO30 5GY Tel: 01983 249264 Fax: 01983 249266
	DRG NO: LCM 3782

THE INFORMATION CONTAINED IN THIS DRAWING IS THE PROPERTY OF LCM SYSTEMS. IT MAY NOT BE REPRODUCED IN ANY FORM, NOR THE CONTENT DISCLOSED TO ANY THIRD PARTY WITHOUT THE WRITTEN CONSENT OF THE COMPANY