

Load Pin Questionnaire

TN1003

Company Name _____

Contact Name _____

Telephone Number _____

Email Address _____

Most load pins are specially designed to fit a specific application or installation. To enable us to offer the best solution, which meets your requirements; we have devised this questionnaire so customers can provide us with the most important information for either quotation or design purposes.

Please complete each of the sections below:-

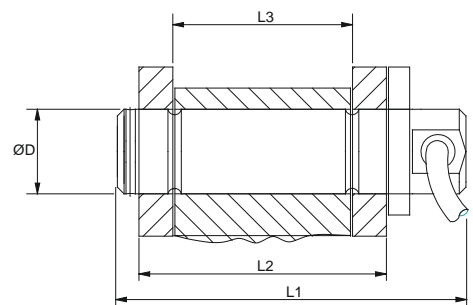
(1) Load Pin Range: _____ tonne

(2) Load Pin Dimensions: ØD _____ mm

L1 _____ mm

L2 _____ mm

L3 _____ mm



(3) Load Pin Locking Mechanism (please tick appropriate box)

SINGLE KEEPER PLATE
 DOUBLE KEEPER PLATE
 ANTI-ROTATION PLATE, SPLIT PIN & WASHER
 ANTI-ROTATION PLATE & NUT
 FORK GRABBER, SPLIT PIN & WASHER

(4) Load Pin Cable/Connector Arrangement (please tick appropriate box)

RADIAL CABLE
 AXIAL CABLE
 RADIAL CONNECTOR
 END CONNECTOR
 RECESSED END CONNECTOR

(5) Cable Length: _____ metres

(6) Environmental Protection: IP _____

(7) Brief Application Description: _____

(8) Quantity Required: _____ pieces

(9) Target Price: £ _____



LCM Systems Ltd

Unit 15, Newport Business Park, Barry Way, Newport, Isle of Wight, PO30 5GY, UK
 Tel: +44 (0)1983 249264 Fax: +44 (0)1983 249266
 email: info@lcmsystems.com
 www.lcmsystems.com