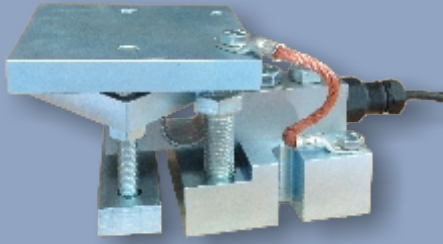


TYPE: SBL-WMOUNT



SBL-WMOUNT Weighing Assembly

Description

The SBL-WMOUNT support is designed to prevent unwanted forces from affecting the performance of our SBL-3 and SBL- 4 load cells (see separate data sheets). The weighing module is designed for hopper, tank and mixer weighing, and combines excellent load introduction with low profile design. Please note that the blind hole version of our SBL load cells must be ordered when used with this product.

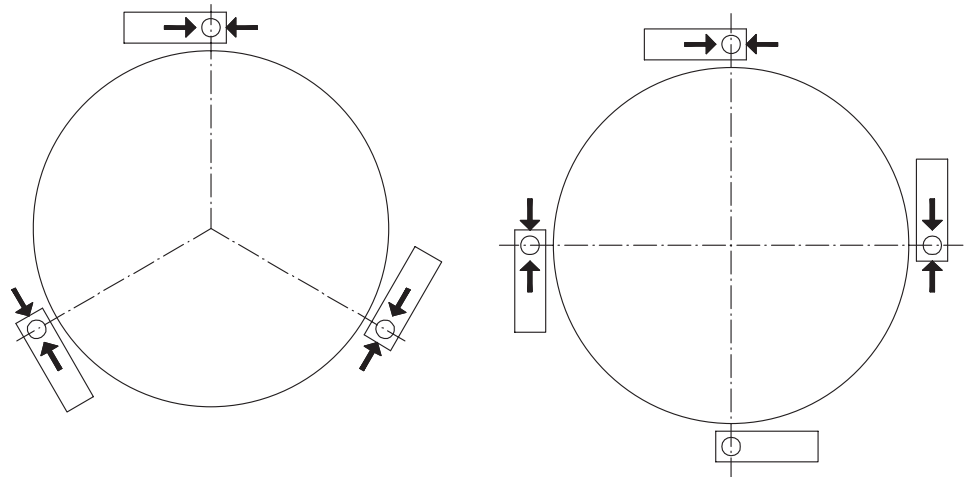
The unit features a 2-directional bumper unit and free sliding system which allows tangential mounting, and the upper module can be mounted in a longitudinal or lateral direction. It is also manufactured from zinc coated steel for use in challenging environments, and provides many years of consistent performance.

The accessories supplied (base plate with jacking bolt, lift off protection and upper welding plate) make installation simple and contribute to a versatile, rugged and low cost design.


Features

- Capacity range from 20kg to 5te
- Low profile design
- Very easy to install
- Blind hole load introduction
- No check links needed
- Installation by bolting or welding
- W&M certified for 3000 intervals

Installation Examples

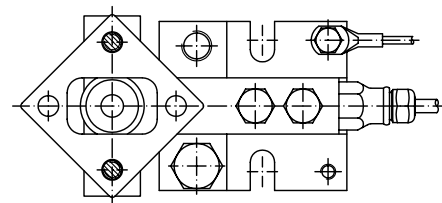


Drawing symbols

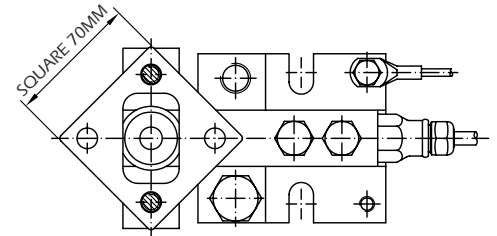
 2-directional bumper

 free sliding unit

2-directional bumper module mounted for lateral bumping



2-directional bumper module mounted for longitudinal bumping



Typical Applications

- Vessel weighing
- Silo weighing
- Process weighing & control
- Tank weighing

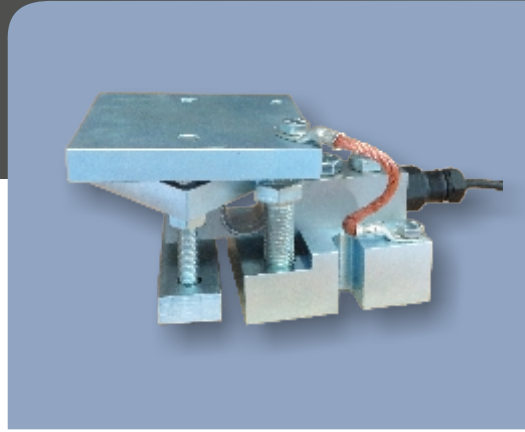
Available Options

- Welding fixture

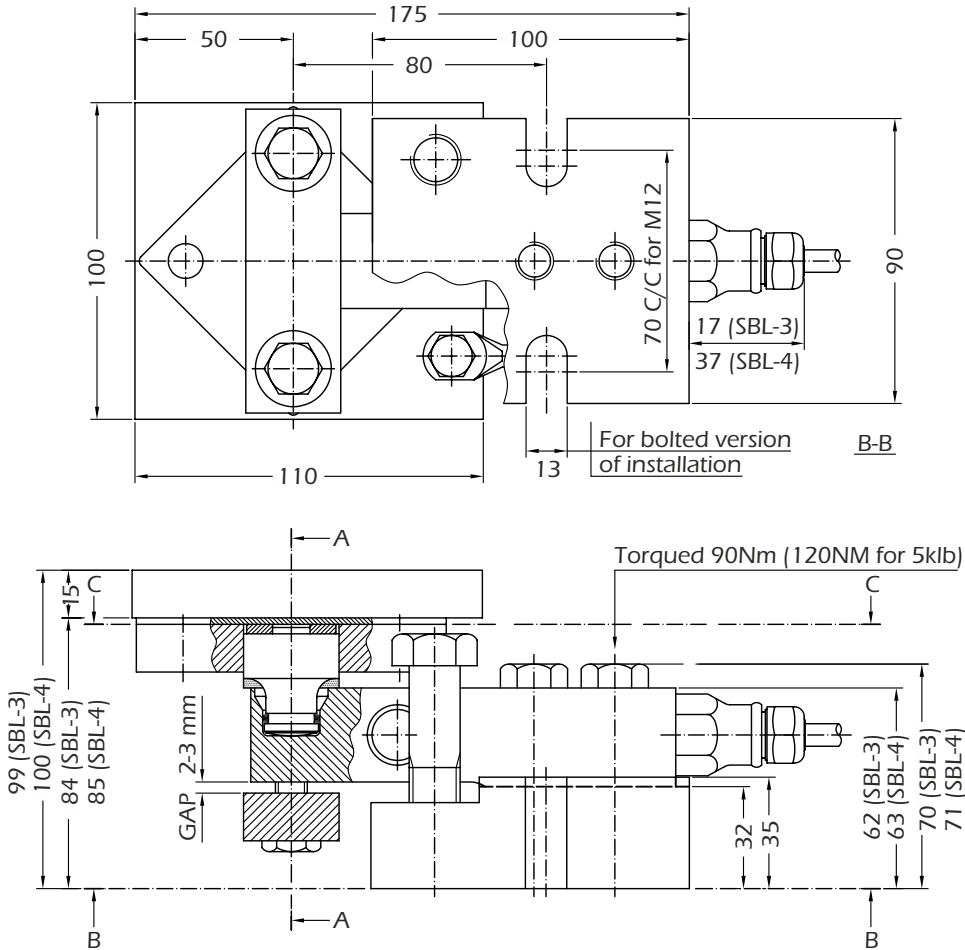
LCM Systems Ltd

Unit 15, Newport Business Park
Barry Way, Newport
Isle of Wight PO30 5GY UK
Tel: +44 (0)1983 249264
Fax: +44 (0)1983 249266
sales@lcm systems.com
www.lcm systems.com

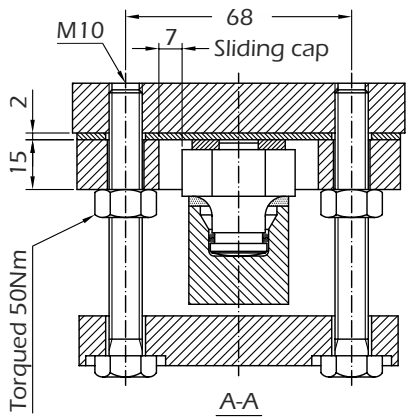
SBL-WMOUNT Weighing Assembly



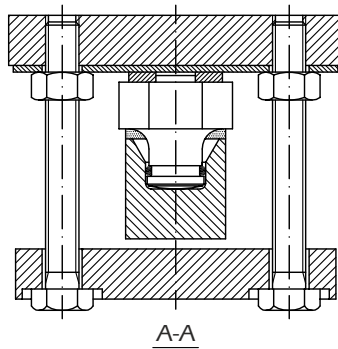
Dimensions



2-directional bumper module with lift off protection and welding plate



Free sliding module with lift off protection



- Safe load: 200% of rated load
- Safe bumping force: 50% of rated load
- Safe jacking force: 40kN
- Safe lift off force: 100% of rated load

www.lcm systems.com

Due to continual product development, LCM Systems Ltd reserves the right to alter product specifications without prior notice.

Issue No. 1

Issue date: 28/03/2017

APPROVED

(unapproved if printed)