

## TYPE: T24-AR



# T24-AR Telemetry Active Repeater Module

## Description

The T24-AR Active Repeater module will enable the T24 range of acquisition modules to span around obstacles or increase range or coverage. The repeater acts as transparent link between acquisition modules and the receiver, powered by either a pair of alkaline 'D' Cells or an external power supply (5-18 Volts).

The repeater will allow messages to be repeated once, which can effectively double the radio range. Adding multiple repeaters will not increase the range further, but can increase overall coverage.

LCM Systems can supply the T-24 products integrated into various sensors, to form a wireless load cell system. There are several standard products which utilise the T24 range, including the TELSACK, TLL and RILL ranges. Please contact LCM's sales department to discuss your wireless load cell requirements.

## Specification

Battery life	240 hours (pair of D cells, device permanently activated)
Internal batteries (D cells)	2.1 to 3.6vdc
External power supply	5 to 18vdc
Radio type	Licence exempt transceiver
Radio frequency	2.4GHz
Transmit power	10mW
Range	Up to 800m (2,600ft)
Operating temperature range	-20 to +55 °C
Storage temperature	-40 to +85 °C
Maximum humidity	95% non condensing
IP rating	IP67/Nema4

## Configuration and Usage Examples

**KEY:** T24 Provider e.g. Acquisition Module T24 Consumer e.g. Base Station or Handheld T24 Repeater T24-AR Obstacle e.g. Building, wall etc

To increase wireless operating range:



To work around obstacles that would normally reduce operating range:



To service many different wireless devices in a larger T24 installation:



## Features

- Repeater module to increase range and overall coverage
- Allows T24 transmission to span around obstacles
- IP67 rated
- Integrated PCB antenna
- Simple configuration via PC using base station & T24 toolkit software
- Battery power supply or external power supply

## Typical Applications

- Wireless load shackles/load links
- Platform weighing
- Vehicle weighing
- Rotating machine force measurement
- Balancing systems
- Simple centre of gravity

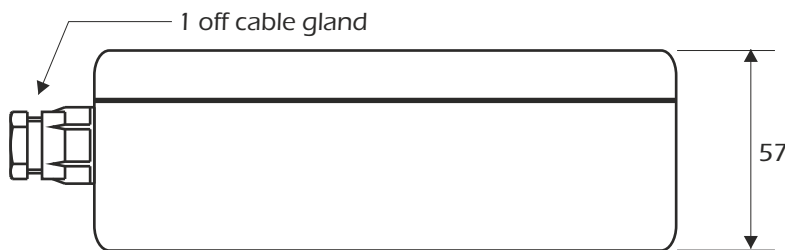
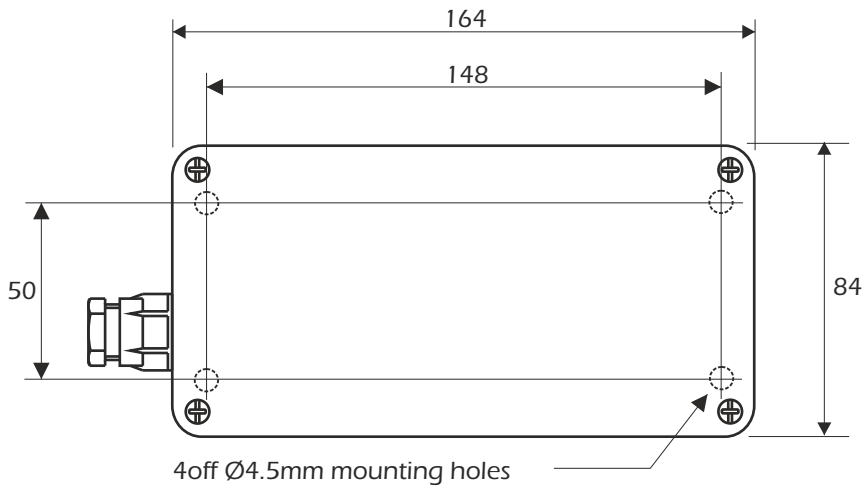
### LCM Systems Ltd

Unit 15, Newport Business Park  
Barry Way, Newport  
Isle of Wight PO30 5GY UK  
Tel: +44 (0)1983 249264  
Fax: +44 (0)1983 249266  
sales@lcm systems.com  
www.lcm systems.com

# T24-AR Telemetry Active Repeater Module



## Dimensions



All dimensions are in mm

www.lcmsystems.com

Due to continual product development, LCM Systems Ltd reserves the right to alter product specifications without prior notice.

CE Complies with EMC directive, 2004/108/EC

FC The Radio Equipment and Telecommunications Terminal Equipment (R&TTE) Directive, 1999/5/EC. Family: RAD24

Industry Canada Industrie Canada IC:7224A-RAD24

Issue No. 1

Issue date: 28/02/2019

APPROVED

(unapproved if printed)