



TYPE: T24-BSi



T24-BSi, T24BSu, T24-BSue & T24-BSd Telemetry Base Stations

Description

The T24 radio telemetry range is currently supported by four base stations, which in conjunction with the T24-tool kit can be used to configure all the devices within the range. Devices can listen for and transmit data packages to any device, therefore making control and group measurement very simple.

T24-BSi

The T24-BSi is one of a range of base stations that are required for configuration and calibration of the T24 modular telemetry system. Base stations can also be used for data collection systems by making available the T24 wireless transmitter data over the industrial interfaces.

The data sent by transmitter modules can be utilised by multiple receivers such as displays, handheld readers, analogue outputs, relay modules and computer interfaces. Receivers support common industrial power supplies and are available in robust IP rated enclosures with internal antennas optimised to give outstanding coverage.

The T24-BSi supports USB, RS232 and RS485 connectivity. On Windows PCs the free T24 Toolkit is used to configure and calibrate the T24 modular telemetry system while the free T24 logging and visualisation software allows monitoring and data collection.

T24-BSu, T24-BSue & T24-BSd

The T24-BSu, T24-BSue and T24-BSd are all simple USB devices. They draw power from the USB bus and therefore no further components are required to configure and control remote devices from a PC. All are supported by the T24-toolkit and T24 logging software allowing customers to develop their own custom software for their applications. The T24-BSue has an extended range of up to 800m (2,600ft), and the T24-BSd is a smaller portable device designed for laptops and tablets.

Specification: T24-BSi

Power supply voltage	9 to 32 Vdc
Supply current at 12V (typical)	100 mA
Radio type	Licence exempt transceiver
Radio frequency	2.4 GHz
Transmit power	10mW
Range	Up to 800m (2,600ft)
Operating temperature range	-20 to +55 °C
Storage temperature	-40 to +85 °C
Maximum humidity	95% non condensing
IP rating	IP67/Nema4

Specification: T24-BSu, T24-BSue & T24-BSd

USB supply range (as defined by USB 2.0 specification)	4.875 to 5.125V (5V typical)
Radio type	Licence exempt transceiver
Radio frequency	2.4 GHz
Transmit power	10 mW
Range: T24-BSu & T24-BSd	Up to 500m (1,640ft)
Range: T24-BSue	Up to 800m (2,600ft)
Operating temperature range	-20 to +55 °C
Storage temperature range	-40 to +85 °C
IP rating: T24-BSu & T24-BSd	IP50
IP rating: T24-BSue	IP67/Nema4 (max humidity 95% non condensing)

Features

T24-BSi

- RS232 and RS485 interface
- Housed in IP67 enclosure
- Wide range power supply
- Wireless range of up to 800m

T24-BSu, T24-BSue, T24-BSd

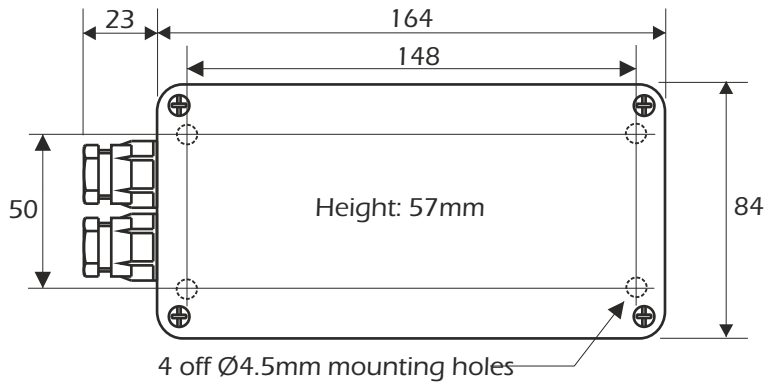
- USB interface
- Self powering from USB port
- Wireless range from 500m up to 800m (depending on model)
- Data collection for PC/PLC

Typical Applications

- PC based centre of gravity systems
- Vessel weighing systems
- Crane weighing systems
- Used to configure and calibrate T24 range of telemetry devices

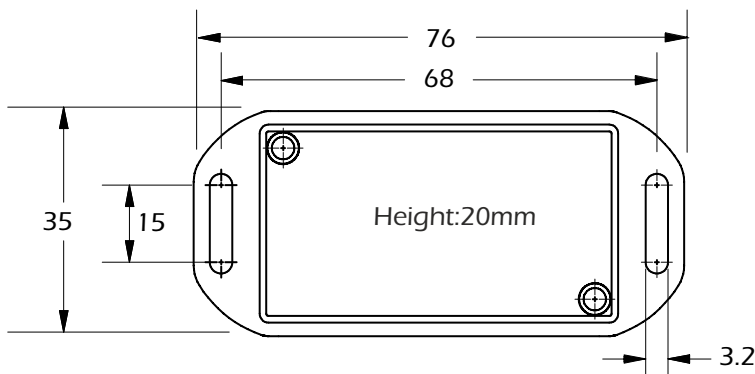
T24-BSi, T24BSu, T24-BSue & T24-BSd Telemetry Base Stations

Dimensions: T24-BSi

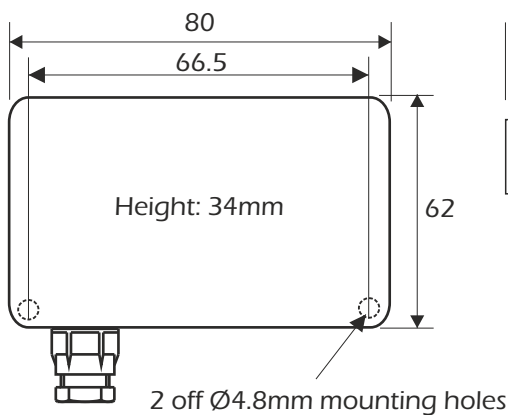


All dimensions are in mm

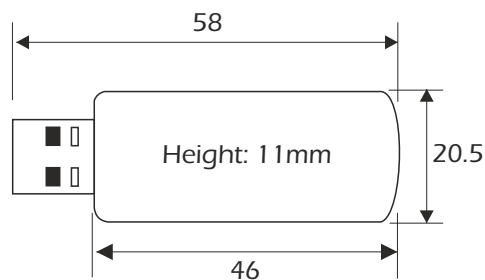
Dimensions: T24-BSu



Dimensions: T24-BSue



Dimensions: T24-BSd



www.lcmsystems.com

LCM Systems Ltd

Unit 15, Newport Business Park, Barry Way
Newport, Isle of Wight PO30 5GY UK

Tel: +44 (0)1983 249264

sales@lcmsystems.com

www.lcmsystems.com

Due to continual product development, LCM Systems Ltd reserves the right to alter product specifications without prior notice.

CE Complies with EMC directive. 2004/108/EC

FC The Radio Equipment and Telecommunications Terminal Equipment (R&TTE) Directive, 1999/5/EC. Family: RAD24

Industry Canada Industrie Canada IC:7224A-RAD24

Issue No. 1

Issue date: 28/02/2019

APPROVED

(unapproved if printed)