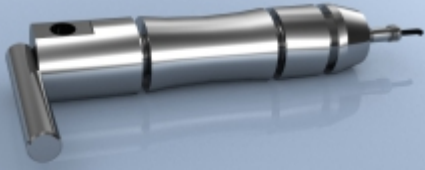


## TYPE: LPB



# LPB Custom Designed Stainless Steel Load Measuring Pin

## Description

The LCM Systems range of load measuring pins are designed for general use. They are a simple and versatile type of load cell that are used in a large variety of applications, including harsh environments such as subsea, marine and offshore. They are easily installed into machines by replacing any existing load bearing pin with no modifications to the equipment required. They are very easy to install new or retrofitted and have a long design life to offer many years of trouble-free operation.

The LPB load pin range is entirely custom designed to meet specific customer requirements, and over 4500 different product variants have been manufactured to date. Machined from high tensile stainless steel, they are built to exacting standards and proof loaded to 150% of normal rated load. We also offer a standard load pin range that covers load ratings between 500kgs and 1500 tonnes (see LMP data sheet).

The LPB series can be supplied on its own or combined with our extensive range of instrumentation to provide a complete load monitoring system.

## Specification

Rated load (tonne)	100 kgs to 1500 tonnes (higher available on request)
Proof load	150% of rated load or higher
Ultimate breaking load	300% to 500% of rated load
Output	1.5mV/V at rated load (nominal)
Non-linearity	<±0.2 to ±1.5% of rated load typically, depending on pin geometry
Non-repeatability	<±0.1% of rated load
Excitation voltage	10vdc recommended, 15vdc maximum
Bridge resistance	350Ω, 1000Ω or 5000Ω
Insulation resistance	>500MΩ @ 500vdc
Operating temperature range	-20 to +70°C
Compensated temperature range	-10 to +70°C
Zero temperature coefficient	<±0.01% of rated load/°C
Span temperature coefficient	<±0.01% of rated load/°C
Environmental protection level	As required (standard IP67)
Connection type	4-core screened PUR cable. Length as required
Wiring connections	+ve supply - Red    -ve supply - Blue +ve signal - Green    -ve signal - Yellow

## Available Options

- Submersible and subsea versions available
- Integral signal conditioning
- Special electrical connectors
- Wireless option
- ATEX/IECEX versions available: ATEX Certificate No. TRAC14ATEX0023X  
IECEX Certificate No. IECEX TRC 14.0011X
- Flameproof certified versions available
- Anti-rotation plate
- TEDS option (when used with TR150 handheld display)

## Features

- Ranges: 100kg to 1500+ tonnes
- Dimensions to suit specific individual requirements
- Stainless steel construction
- Choice of environmental sealings
- Many special design options available
- Versions available to meet offshore, subsea and marine specifications
- Design support software available

## Typical Applications

- Crane overload protection
- Winch force monitoring
- Cable and wire dynamometers
- Hoist overload protection
- Mooring load tension measurement

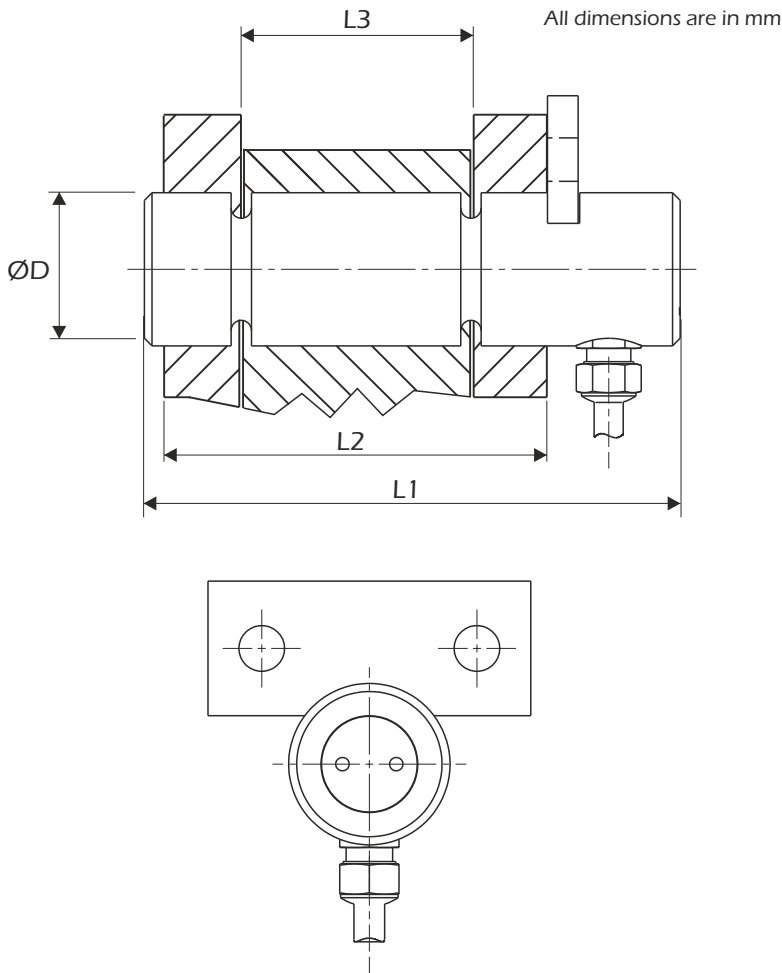
### LCM Systems Ltd

Unit 15, Newport Business Park  
Barry Way, Newport  
Isle of Wight PO30 5GY UK  
Tel: +44 (0)1983 249264  
Fax: +44 (0)1983 249266  
sales@lcm systems.com  
www.lcm systems.com



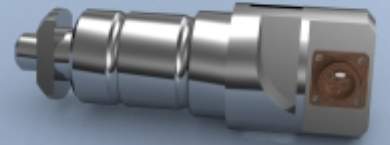
# LPB Custom Designed Stainless Steel Load Measuring Pin

## Dimensions



Rating (tonne)	Part No.	$\text{ØD}$	L1	L2	L3
ALL	LCMXXXX	As required	As required	As required	As required

If you would like to receive a quotation for a custom designed load pin, please visit our website at [www.lcmsystems.com/lpq](http://www.lcmsystems.com/lpq) and fill in our Load Pin Questionnaire



www.lcmsystems.com



Due to continual product development, LCM Systems Ltd reserves the right to alter product specifications without prior notice.

Issue No. 1

Issue date: 05/12/2014

APPROVED

(unapproved if printed)